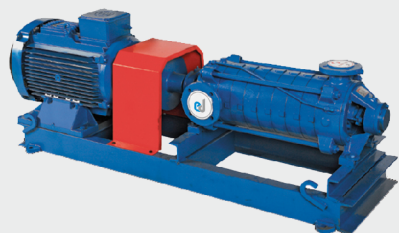


EARS/DD/KC/U



MULTI STAGE PUMPS

GENERAL INFORMATION

GENEL BİLGİLER

Discharge Flange	: DN 32 ... DN 200 mm
Capacity	: 700 m ³ /h
Head	: 600 m
Speed	: max 3600 rpm
Liquid Temperature (optional)	: -10°C to 110°C (140°C Optional)
Pressure (Pmax)*	: 30 bar (63 bar optional)
*(Pmax= Suction Pressure + Head in Close Valve)	
Voltage (optional)	: 400 V (±%5)
Frekans (optional)	: 50 - 60 Hz*

Basma Flaşı	: DN 32 ... DN 200 mm
Debi	: 700 m ³ /h
Basma Yüksekliđi	: 600 m
Hız	: max 3600 d/d
Akıřkan sıcaklıđı (opsiyonel)	: -10°C - 110°C (140°C Opsiyonel)
Gövde Basıncı	: 30 bar (63 bar opsiyonel)
*(Pmax : Emme Basıncı + Kapalı Vanadaki Basma Yüksekliđi)	
Çalıřma Gerilimi	: 400 V (±%5)
Frekans	: 50 - 60 Hz*

DISCHARGEABLE LIQUIDS

Non-corrosive, without solid particles or fibers, clean or slightly polluted and low viscosity liquids.

BASILABİLEN SIVILAR

Ařındırıcı olmayan , içinde katı parçacıklar ve elyaf bulunmayan, temiz veya çok hafif kirli,düşük viskoziteli sıvılar.

USAGE AREAS

General water supply	Condensate
Pressure boosting	Industry
Drinking water supply	Filter systems
Irrigation system	Fire-fighting systems
Heating system	Washing systems
Boiler feed water	Power plants
Hot water system	
Circulation system	

KULLANIM YERLERİ

Genel su temini	Kondens
Basınclandırma sistemleri	Sanayi
İçme suyu sistemi	Filtre sistemleri
Tarımsal sulama sistemi	Yangın söndürme sistemleri
Isıtma sistemi	Yıkama sistemleri
Kazan besleme suyu	Enerji santralleri
Sıcak su sistemi	
Sirkülasyon sistemi	

DESIGN FEATURES

Design

- Multistage centrifugal pump in ring-section design, long-coupled (baseplate-mounted) , closecoupled for vertical installation. Used EN and ANSI Flanges.
- Multistage centrifugal pump in ring-section design
- Horizontal installation in long-coupled or close-coupled design
- Vertical installation in close-coupled design

Pump casing

- Suction casing: axial or radial
- Radial suction casing and discharge casing: nozzles can be turned in steps of 90°
- Flanges to EN and ASME (holes and flange facing)
- Identical seal housing for gland packing and mechanical seal (separate component)
- Stage casings, discharge casings and seal housing sealed by confined O-rings

Drive

- 50 Hz and 60 Hz electric motor
- Can be driven by diesel engine or turbine

Impeller type

- Closed radial impeller with multiply curved vanes

Bearings

- Fixed bearing, drive end: rolling element bearing
- Radial bearing, non-drive end: either plain bearing or rolling element bearing, depending on the type of installation
- Lubrication:
 - Rolling element bearing grease or oil lubricated
 - Plain bearing lubricated by fluid handled

TASARIM ÖZELLİKLERİ

Tasarım

- Çok kademeli pompalar , Şase – Kaplin takımı ile birlikte (motor pompa kolayca ayrılabilir) yada monoblok olarak tasarlanmıştır.
- Dik tasarımlar monoblok şeklindedir.
- EN ve ANSI standartlarına göre flaş ölçülendirilmiştir.

Pompa Gövdesi

- Emme Gövdesi : Aksiyel yada radyal
- Radyal emme gövdesi 90 ° kademelerle döndürülebilir.
- EN ve ANSI standartlarına göre flaş ölçülendirilmiştir.
- Salmastra yuvası , yumuşak ve mekanikte kullanılabilir.
- Kademe gövdeleri arası sızdırmazlık O-Ring ile sağlanmıştır.

Sürücü

- 50 Hz yada 60 Hz Elektrik Motoru
- Dizel motor yada türbin
- Çark Tipi
 - Dönel Kanat Profilli – Kapalı Tip – Radyal Çark

Rulman

- Motor Rulmanı : Sabit makaralı rulman (genellikle 6000 serisi)
- Radyal Yataklama : Montaj şekline göre farklı yataklama şekilleri olabilir. Rulman yada metal-metal yataklama gibi.
 - Yağlama :
 - Rulmanlar sıvı yada gres yađı ile
 - Metal-Metal çalışmada ise akıřkan sıvı ile

DESIGN FEATURES

Coupling

- Long-coupled designs: flexible coupling with or without spacer
- Close-coupled design up to DN 65 with rigid coupling, larger designs with flexible coupling without spacer

Coupling guard

- Standard coupling guard, stell plate

Seal

- Uncooled gland packing, with or without barrier fluid
- Standardised mechanical seal to EN 12756, cooled or uncooled, single or double
- Cartridge seal

TASARIM ÖZELLİKLERİ

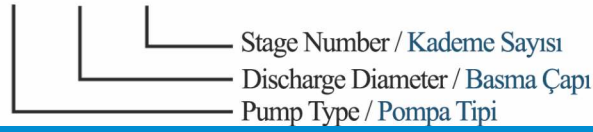
Kaplin

- Şase – Kaplinli Tasarım : Pim – Kauçuk Malzeme ile
- Monoblok Tasarım : DN 65'e kadar rijit kaplin , DN 65 sonrası Pim-Kauçuk ile

Sızdırmazlık

- Akışkan soğutmalı veya soğutmasız yumuşak salmastra ile
- Standart mekanik salmastra EN 12756'e göre , dış veya akışkan soğutmalı , tek veya çift
- Kartuş tip Salmastra

EARS 100 - 06



METERIAL OPTIONS

MALZEME SEÇENEKLERİ

Part List	0.6025	0.7040	1.0619	1.4308	1.4309	1.4408	1.4409	1.4500	1.4517	1.4469	1.4317	2.1050.01	2.0975.01	1.0503	1.4021	1.4301	1.4306	1.4401	1.4404	1.4462	Parça Listesi	
EMME GÖVDESİ	●	○		○	○	○	○	○	○	○	○	○										SUCTION BODY
BASMA GÖVDESİ	●	○		○	○	○	○	○	○	○	○	○										DISCHARGE BODY
KADEME GÖVDESİ	●	○		○	○	○	○	○	○	○	○	○										STAGE BODY
DİFÜZÖR	●	○	○	○	○	○	○	○	○	○	○	○	○									DIFFUSER
ÇARK	●	○	○	○	○	○	○	○	○	○	○	○	○	○	○	○	○	○	○	○	○	IMPELLER
MİL															●	○	○	○	○	○	○	SHAFT
RULMAN YATAĞI	●	○												○	○	○	○	○	○	○	○	BEARING BOX
AŞINMA BİLEZİĞİ	○	○	○	○	○	○	○	○	○	○	○	○										WEAR RING
ARA BURÇ												○		●	○	○	○	○	○	○	○	SHAFT SLEEVE
SALMASTRA BURCU												○		●	○	○	○	○	○	○	○	SEAL SLEEVE
KADEME BURCU												○		●	○	○	○	○	○	○	○	STAGE SLEEVE
MEKANİK SALMASTRA (*)	EN 12756 / DIN 24960																			MECHANICAL SEAL(*)		

(*) : Çalışma şartlarına veya alıcının isteğine göre farklı tip ve marka mekanik salmastra kullanılabilir.

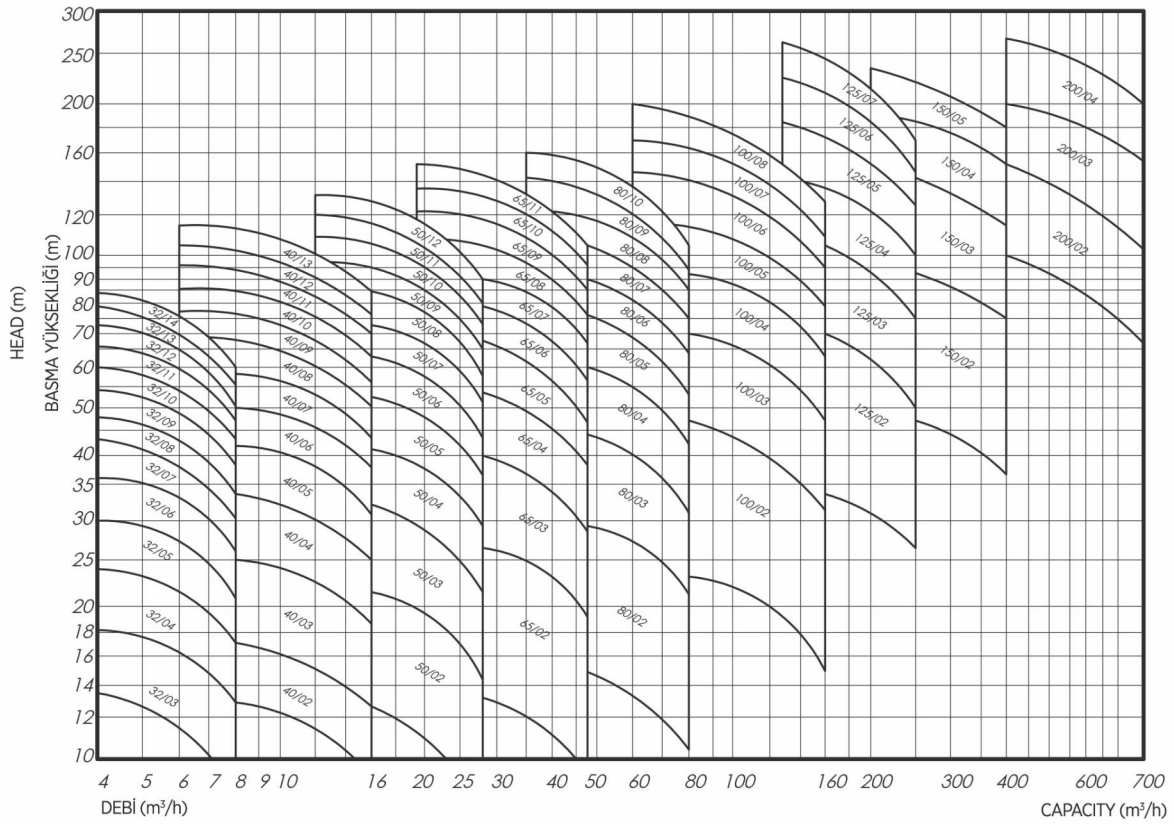
● Standart İmalat Standart
○ İsteğe Bağlı Optional

(*) : Different brand and type mechanical seal can be use according to customer request

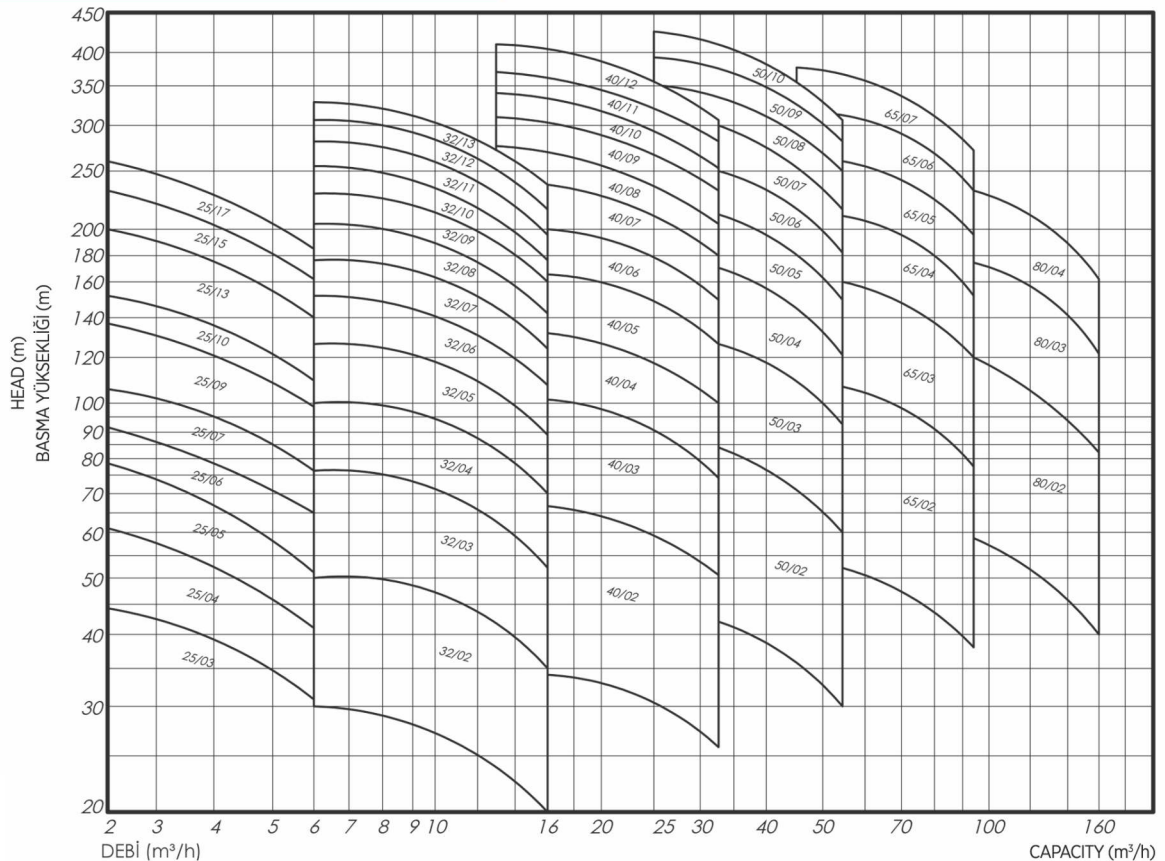
Descriptions	DIN 17007	EN-DIN	ASTM	Tanım
CAST IRON	0.6025	A 48 Class 40-B	GJL-250 (GG 25)	PİK DÖKÜM
NODULAR CAST IRON	0.7040	A 536 Gr. 60-40-18	GJS-400-15 (GGG 40)	SFERO DÖKÜM
CAST STEEL	1.0619	A 216 Gr. WCB	GP240GH (GS-C 25)	ÇELİK DÖKÜM
CHOROME NICKEL CAST STEEL	1.4308	A 351/743/744 Gr. CF8	G-X5 Cr Ni 19-10	KROM NİKELLİ ÇELİK DÖKÜM
CHOROME NICKEL CAST STEEL (L.C.)	1.4309	A 351/743/744 Gr. CF3	G-X2 Cr Ni 19-11	KROM NİKELLİ ÇELİK DÖKÜM (D.K)
CHOROME NICKEL MOLYBDENUM CAST STEEL	1.4408	A 351/743/744 Gr. CF8M	G-X5 Cr Ni Mo 19-11-2	KROM NİKEL MOLİBDENLİ ÇELİK DÖKÜM
CHOROME NICKEL MOLYBDENUM CAST STEEL (L.C.)	1.4409	A 351/743/744 CF3M	G-X2 Cr Ni Mo 19-11-2	KROM NİKEL MOLİBDENLİ ÇELİK DÖKÜM (D.K)
AUSTENITIC CAST STEEL	1.4500	A 351/743/744 (CN7M)	G-X2 Cr Ni Mo Cu Nb 25-20	ÖSTENİTİK ÇELİK DÖKÜM
AUSTENITIC - FERRITIC CAST STEEL(DUBLEX)	1.4517	A 890 Gr. 1B (CD4MCuN)	G-X2 Cr Ni Mo Cu N 25-6-3-3	ÖSTENİTİK-FERRİTİK ÇELİK DÖKÜM (DUPLEX)
AUSTENITIC - FERRITIC CAST STEEL(SUPERDUBLEX)	1.4469	A 890 Gr. 5A (CE3MN)	G-X2 Cr Ni Mo N 26-7-4	ÖSTENİTİK-FERRİTİK ÇELİK DÖKÜM (SD)
MARTENZITIC STAINLESS CAST STEEL	1.4317	A 351/743/744 (CA6NM)	G-X4 Cr Ni 13-4	MARTENZİTİK PASLANMAZ ÇELİK DÖKÜM
CAST BRONZE (TIN ALLOY)	2.1050.01	B 584 C 90700	G-Cu Sn 10	BRONZ DÖKÜM (KALAYLI)
CAST BRONZE (NICKEL ALLOY)	2.0975.01	B 148 C 95800	G-CU Al 10 Ni	BRONZ DÖKÜM (NİKEL ALAŞIMLI)
CARBON STEEL	1.0503	A 29/108/576 1045	C 45	KARBONLU ÇELİK
CHOROME STEEL	1.4021	A 276 Type 420	X20 Cr13	KROMLU ÇELİK
CHOROME STEEL	1.4301	A 276 Type 304	X5 Cr Ni 18-10	KROM NİKEL ÇELİK
CHOROME NICKEL STEEL (L.C.)	1.4306	A 276 Type 304L	X2 Cr Ni 19-11	KROM NİKEL ÇELİK (DÜŞÜK KARBON)
CHOROME NICKEL MOLYDBENUM STEEL	1.4401	A 276 Type 316	X5 Cr Ni Mo 17-12-2	KROM NİKEL MOLİBDENLİ ÇELİK
CHOROME NICKEL MOLYDBENUM STEEL(L.C.)	1.4404	A 276 Type 316L	X2 Cr Ni Mo 17-12-2	KROM NİKEL MOLİBDENLİ ÇELİK (D.K)
DUPLEX STEEL	1.4462	A 276 S 31803	X2 Cr Ni Mo N 22-5-3	DUBLEKS ÇELİK

APORT CURVES APORT CURVES

1450 RPM - 1450 D/D



2900 RPM - 2900 D/D



BEARING TYPE RULMAN TIPLERİ

RULMAN TIPI / BEARING TYPE 1450 (d/d) / rpm			
POMPA TIPI PUMP TYPE	KADEME SAYISI STAGE NUMBER	RULMAN TIPI BEARING TYPE	
		EMME SUCTION	BASMA DISCHARGE
EARS 32	2...14	NU 305	6305
EARS 40	2...13	NU 305	6305
EARS 50	2...12	NU 306	6306
EARS 65	2...8	NU 307	6307
EARS 80	2...8	NU 308	3308
EARS 100	2...7	NU 309	3309
EARS 125	2...6	NU 310	3310
EARS 150	2...3	NU 312	3312
EARS 200	2...3	NU 315	7315x2

RULMAN TIPI / BEARING TYPE 2900 (d/d) / rpm			
POMPA TIPI PUMP TYPE	KADEME SAYISI STAGE NUMBER	RULMAN TIPI BEARING TYPE	
		EMME SUCTION	BASMA DISCHARGE
EARS 25	2...17	NU 305	6305
EARS 32	2...8	NU 305	6305
EARS 32	9...13	NU 305	6405
EARS 40	2...7	NU 305	6305
EARS 40	8...9	NU 305	6405
EARS 50	2...5	NU 306	6306
EARS 50	6...7	NU 306	6406
EARS 65	2...4	NU 307	6307
EARS 80	2...4	NU 308	3308

RULMAN TIPI / BEARING TYPE 1450 (d/d) / rpm			
POMPA TIPI PUMP TYPE	KADEME SAYISI STAGE NUMBER	RULMAN TIPI BEARING TYPE	
		EMME SUCTION	BASMA DISCHARGE
EARS-DD 65	9...11	NU 307	NU 307
EARS-DD 80	9...14	NU 308	NU 308
EARS-DD 100	8...15	NU 309	NU 309
EARS-DD 125	7...12	NU 310	NU 310
EARS-DD 150	4...10	NU 312	NU 312
EARS-DD 200	4...6	NU 315	NU 315

RULMAN TIPI / BEARING TYPE 2900 (d/d) / rpm			
POMPA TIPI PUMP TYPE	KADEME SAYISI STAGE NUMBER	RULMAN TIPI BEARING TYPE	
		EMME SUCTION	BASMA DISCHARGE
EARS-DD 65	5...10	NU 307	NU 307
EARS-DD 80	5...8	NU 308	NU 308

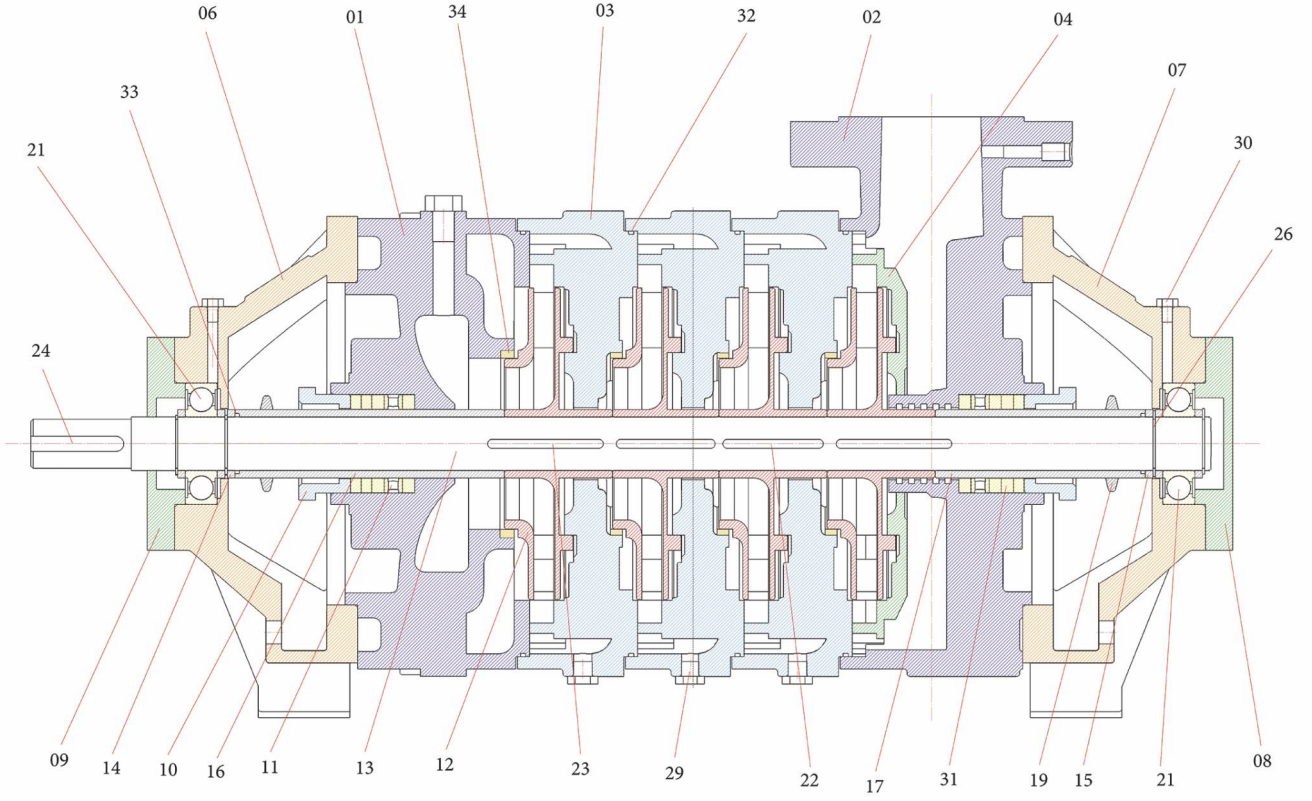
RULMAN TIPI / BEARING TYPE 1450 (d/d) / rpm			
POMPA TIPI PUMP TYPE	KADEME SAYISI STAGE NUMBER	RULMAN TIPI BEARING TYPE	
		EMME SUCTION	BASMA DISCHARGE
EARS-U 40	2...13	-	6305
EARS-U 50	2...12	-	6306
EARS-U 65	2...8	-	6307
EARS-U 80	2...8	-	3308
EARS-U 100	2...7	-	3309
EARS-U 125	2...6	-	3310
EARS-U 150	2...3	-	3312

RULMAN TIPI / BEARING TYPE 2900 (d/d) / rpm			
POMPA TIPI PUMP TYPE	KADEME SAYISI STAGE NUMBER	RULMAN TIPI BEARING TYPE	
		EMME SUCTION	BASMA DISCHARGE
EARS-U 40	2...7	-	6305
EARS-U 50	2...5	-	6306
EARS-U 65	2...4	-	6307
EARS-U 80	2...4	-	3308

RULMAN TIPI / BEARING TYPE 2950 (d/d) / rpm			
POMPA TIPI PUMP TYPE	KADEME SAYISI STAGE NUMBER	RULMAN TIPI BEARING TYPE	
		EMME SUCTION	BASMA DISCHARGE
EARS-KC 40	10...14	NU 305	7305x2
EARS-KC 50	8...12	NU 306	7306x2
EARS-KC 65	6...10	NU 307	7307x2

SECTIONAL VIEW KESİT GÖRÜNÜM

EARS SERIES (32...65)
EARS SERİSİ (32...65)



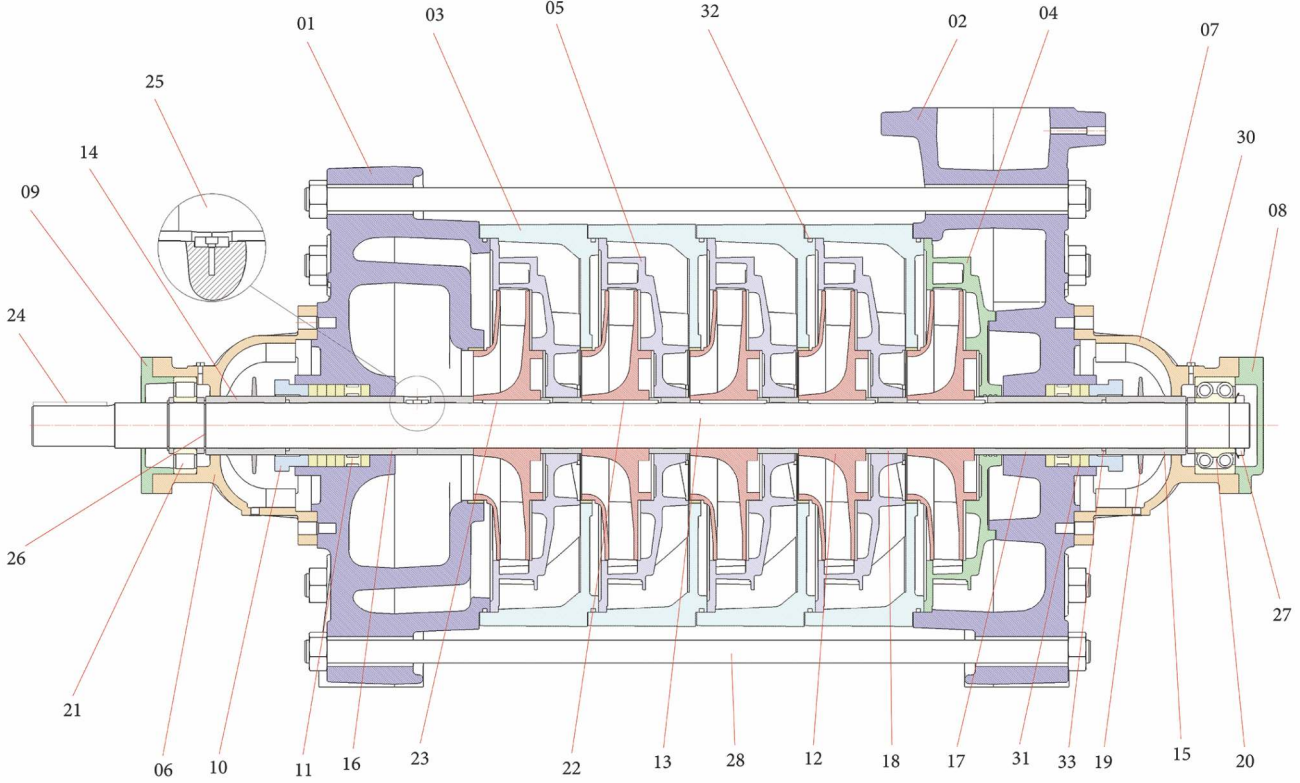
PART LIST PARÇA LİSTESİ

1	EMİCİ GÖVDE / SUCTION BODY	16	SALMASTRA BURCU / PACKING SHAFT SLEEVE (EMİCİ / SUCTION)
2	VERİCİ GÖVDE / DISCHARGE BODY	17	SALMASTRA BURCU / PACKING SHAFT SLEEVE (VERİCİ / DISCHARGE)
3	KADEME GÖVDESİ / STAGE BODY	19	SU SIÇRATMA LASTİĞİ / THROWER RUBBER
4	VERİCİ DİFÜZÖR / DISCHARGE DIFFUSER	21	RULMAN / BEARING
6	RULMAN YATAĞI / BEARING BOX (EMİCİ / SUCTION)	22	ÇARK KAMASI / IMPELLER KEY
7	RULMAN YATAĞI / BEARING BOX (VERİCİ / DISCHARGE)	23	KADEME KAMASI / STAGE KEY
8	RULMAN KAPAĞI / BEARING BOX COVER (KAPALI / CLOSED)	24	KAPLİN KAMASI / COUPLING KEY
9	RULMAN KAPAĞI / BEARING BOX COVER (AÇIK / OPEN)	26	MİL SEGMANI / SHAFT LOCK
10	SALMASTRA BASKISI / GLAND PACKING SUPPORTER	29	BOŞALTIM TAPASI / WASTE DISCHARGE PLUG
11	SULAMA HALKASI / LANTERN RING	30	GRESÖRLÜK / OIL NIPPLE
12	ÇARK / IMPELLER	31	YUMUŞAK SALMASTRA / GLAND PACKING
13	POMPA MİLİ / PUMP SHAFT	32	O-RING (KADEME GÖVDESİ / STAGE BODY)
14	MİL BURCU / SHAFT SLEEVE (EMİCİ / SUCTION)	33	O-RING (SALMASTRA BURCU / SEAL)
15	MİL BURCU / SHAFT SLEEVE (VERİCİ / DISCHARGE)	34	AŞINMA HALKASI / WEAR RING

SECTIONAL VIEW KESİT GÖRÜNÜM

EARS SERIES (80...200)

EARS SERİSİ (80...200)

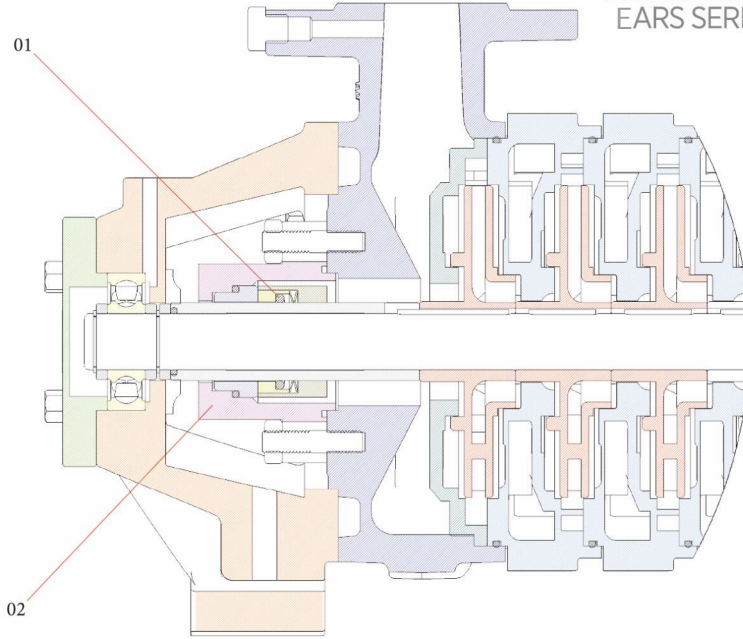


PART LIST PARÇA LİSTESİ

1	EMİCİ GÖVDE / SUCTION BODY	18	FAN BURCU / IMPELLER SLEEVE
2	VERİCİ GÖVDE / DISCHARGE BODY	19	SU SIÇRATMA LASTİĞİ / THROWER RUBBER
3	KADEME GÖVDESİ / STAGE BODY	20	RULMAN / BEARING
4	VERİCİ DİFÜZÖR / DISCHARGE DIFFUSER	21	RULMAN / BEARING
5	DİFÜZÖR / DIFFUSER	22	ÇARK KAMASI / IMPELLER KEY
6	RULMAN YATAĞI / BEARING BOX (EMİCİ / SUCTION)	23	KADEME KAMASI / STAGE KEY
7	RULMAN YATAĞI / BEARING BOX (VERİCİ / DISCHARGE)	24	KAPLİN KAMASI / COUPLING KEY
8	RULMAN KAPAĞI / BEARING BOX COVER (KAPALI / CLOSED)	25	SETSKUR VİDA / SET SCREW BOLD
9	RULMAN KAPAĞI / BEARING BOX COVER (AÇIK / OPEN)	26	MİL SEGMANI / SHAFT LOCK
10	SALMASTRA BASKISI / GLAND PACKING SUPPORTER	27	KİLİTLİ PUL SOMUNU / SHAFT NUT
11	SULAMA HALKASI / LANTERN RING	28	SAPLAMA / CASING TIEBOLT
12	ÇARK / IMPELLER	29	BOŞALTIM TAPASI / WASTE DISCHARGE PLUG
13	POMPA MİLİ / PUMP SHAFT	30	GRESÖRLÜK / OIL NIPPLE
14	MİL BURCU / SHAFT SLEEVE (EMİCİ / SUCTION)	31	YUMUŞAK SALMASTRA / GLAND PACKING
15	MİL BURCU / SHAFT SLEEVE (VERİCİ / DISCHARGE)	32	O-RİNG (KADEME GÖVDESİ / STAGE BODY)
16	SALMASTRA BURCU / PACKING SHAFT SLEEVE (EMİCİ / SUCTION)	33	O-RİNG (SALMASTRA BURCU / SEAL)
17	SALMASTRA BURCU / PACKING SHAFT SLEEVE (VERİCİ / DISCHARGE)		

SECTIONAL VIEW KESİT GÖRÜNÜM

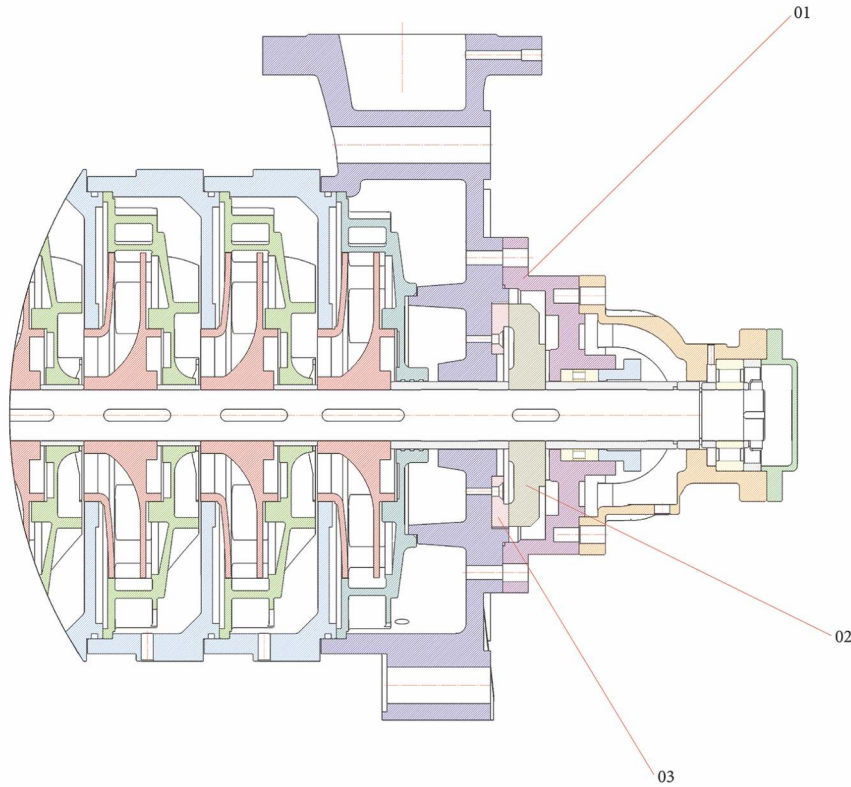
EARS SERIES WITH MECHANICAL SEAL
EARS SERİSİ MEKANİK SALMASTRALI



PART LIST PARÇA LİSTESİ

1	MEKANİK SALMASTRA / MECHANICAL SEAL	2	MEKANİK SALMASTRA YATAĞI / MECHANICAL SEAL BOX
---	--	---	---

EARS - DD SERIES
EARS - DD SERİSİ

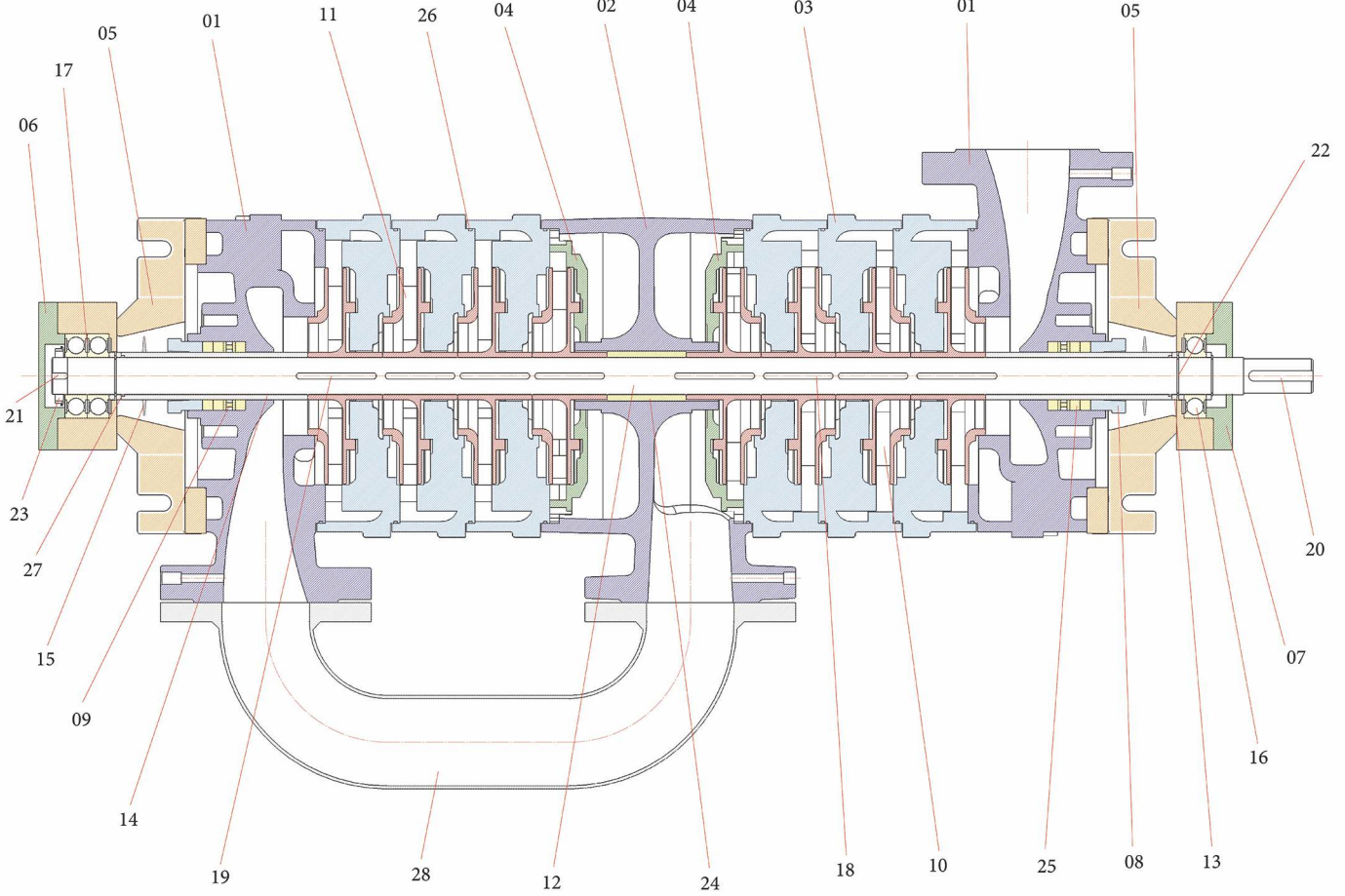


PART LIST PARÇA LİSTESİ

1	DENGELEME DİSK YATAĞI / BALANCING DISK BOX	3	DENGELEME DİSK KARŞISI / BALANCING DISK OPPOSITE
2	DENGELEME DİSKİ / BALANCING DISC		

SECTIONAL VIEW KESİT GÖRÜNÜMÜ

EARS - KC SERIES
EARS - KC SERİSİ

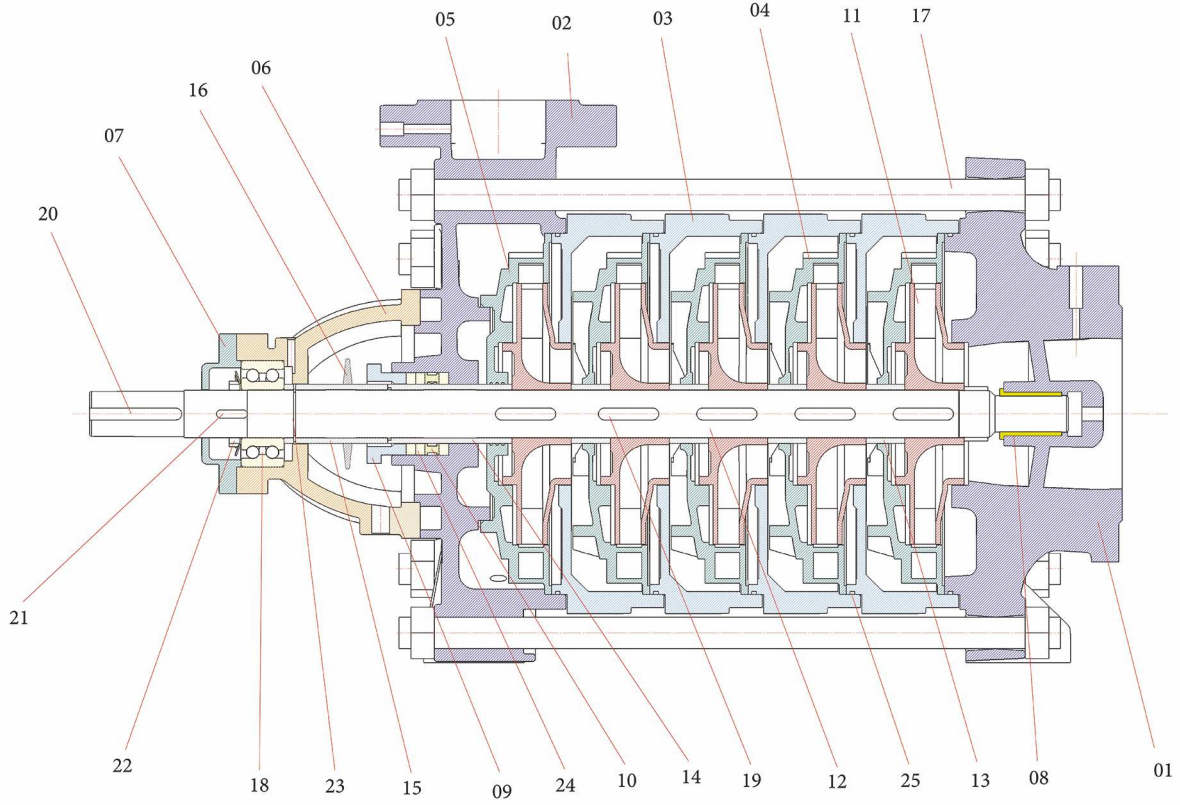


PART LIST PARÇA LİSTESİ

1	EMİCİ GÖVDE / SUCTION BODY	15	SU SIÇRATMA LASTİĞİ / THROWER RUBBER
2	VERİCİ GÖVDE / DISCHARGE BODY	16	RULMAN / BEARING
3	KADEME GÖVDESİ / STAGE BODY	17	RULMAN / BEARING
4	VERİCİ DİFÜZÖR / DISCHARGE DIFFUSER	18	ÇARK KAMASI / IMPELLER KEY
5	RULMAN YATAĞI / BEARING BOX	19	KADEME KAMASI / STAGE KEY
6	RULMAN KAPAĞI / BEARING COVER (KAPALI / CLOSED)	20	KAPLİN KAMASI / COUPLING KEY
7	RULMAN KAPAĞI / BEARING COVER (AÇIK / OPEN)	21	KİLİTLİ SOMUN KAMASI / SHAFT KEY HEAD
8	SALMASTRA BASKISI / GLAND PACKING SUPPORTER	22	MİL SEGMANI / SHAFT LOCK
9	SULAMA HALKASI / LANTERN RING	23	KİLİTLİ SOMUN / SHAFT KEY
10	ÇARK / IMPELLER (SAĞ / RIGHT)	24	ARA YATAK BURCU / DISCHARGE BODY SLEEVE
11	ÇARK / IMPELLER (SOL / LEFT)	25	YUMUŞAK SALMASTRA / GLAND PACKING
12	POMPA MİLİ / PUMP SHAFT	26	O-RING (KADEM GÖVDESİ / STAGE BODY)
13	MİL BURCU / SHAFT SLEEVE	27	O-RING (SALMASTRA BURCU / SEAL)
14	SALMASTRA BURCU / PACKING SHAFT SLEEVE	28	ARA BAĞLANTI BORUSU / TRANSFER PIPE

SECTIONAL VIEW KESİT GÖRÜNÜM

EARS - U SERIES
EARS - U SERİSİ

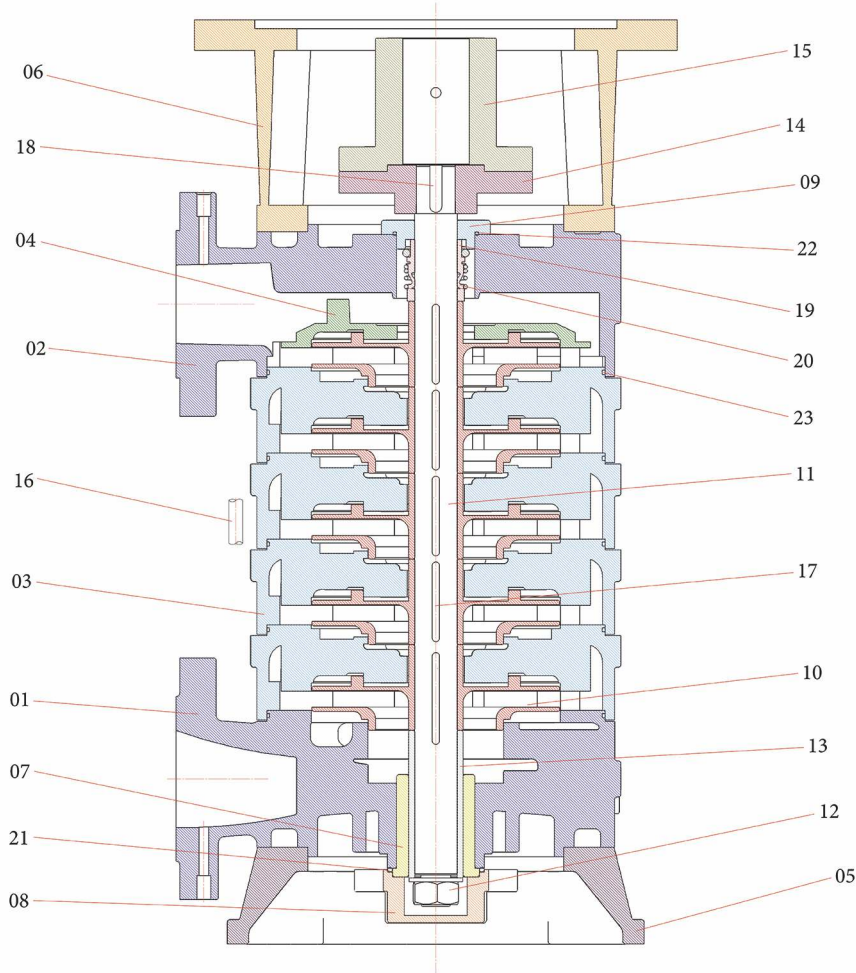


PART LIST PARÇA LİSTESİ

1	EMİCİ GÖVDE / SUCTION BODY	14	SALMASTRA BURCU / PACKING SHAFT SLEEVE
2	VERİCİ GÖVDE / DISCHARGE BODY	15	MİL BURCU / SHAFT SLEEVE
3	KADEME GÖVDESİ / STAGE BODY	16	SU SIÇRATMA LASTİĞİ / THROWER RUBBER
4	DİFÜZÖR / DIFFUSER	17	SAPLAMA / CASING TIEBOLT
5	VERİCİ DİFÜZÖR / DISCHARGE DIFFUSER	18	RULMAN / BEARING
6	RULMAN YATAĞI / BEARING BOX	19	ÇARK KAMASI / IMPELLER KEY
7	RULMAN KAPAĞI / BEARING COVER	20	KAPLİN KAMASI / COUPLING KEY
8	KAYMALI YATAK / PLAIN BEARING	21	KİLİTLİ SOMUN KAMASI / SHAFT NUT KEY
9	SALMASTRA BASKISI / GLAND PACKING SUPPORTER	22	KİLİTLİ SOMUN / SHAFT NUT
10	SULAMA HALKASI / LANTERN RING	23	MİL SEGMANI / SHAFT LOCK
11	ÇARK / IMPELLER	24	YUMUŞAK SALMASTRA / GLAND PACKING
12	POMPA MİLİ / PUMP SHAFT	25	O-RING
13	FAN BURCU / IMPELLER SLEEVE		

SECTIONAL VIEW KESİT GÖRÜNÜM

EARS - D SERIES
EARS - D SERİSİ

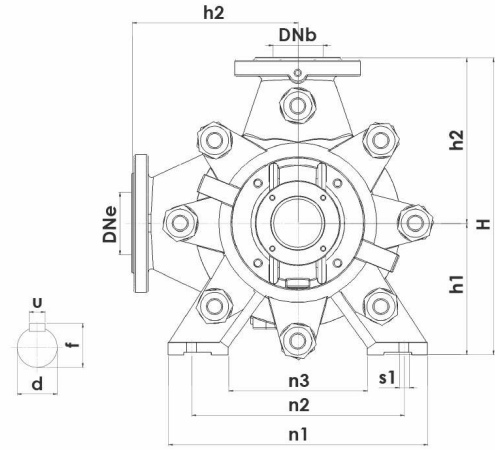
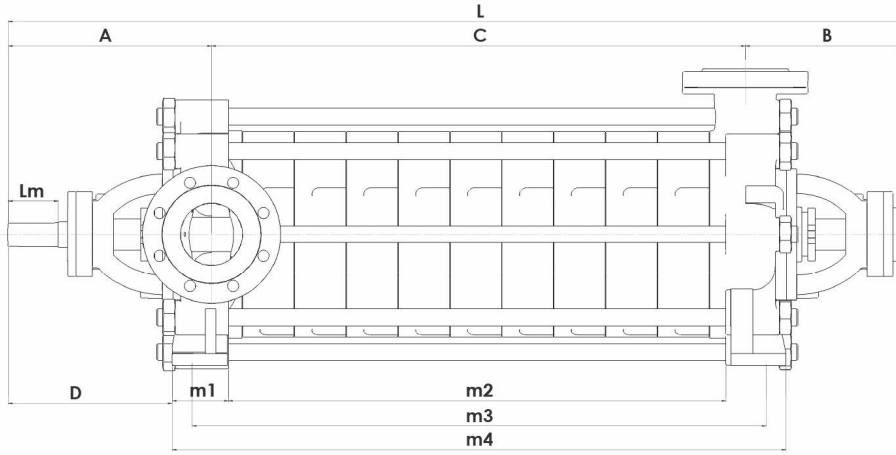


PART LIST PARÇA LİSTESİ

1	EMİCİ GÖVDE / SUCTION BODY	13	MİL BURCU / SHAFT SLEEVE
2	VERİCİ GÖVDE / DISCHARGE BODY	14	KAPLİN / COUPLING(POMPA / PUMP)
3	KADEME GÖVDESİ / STAGE BODY	15	KAPLİN / COUPLING (MOTOR)
4	VERİCİ DİFÜZÖR / DISCHARGE DIFFUSER	16	SAPLAMA / SLEEVE BEARING COVER
5	POMPA AYAĞI / PUMP FOOT	17	ÇARK KAMASI / IMPELLER KEY
6	MOTOR TAŞIYICI / MOTOR PEDESTAL	18	KAVRAMA KAMASI / KEY COUPLING
7	KAYMALI YATAK / SLEEVE BEARING	19	MEKANİK SALMASTRA SABİT ELEMANI / SEAL SEAT
8	KAYMALI YATAK KAPAĞI / SLEEVE BEARING COVER	20	MEKANİK SALMASTRA DÖNER ELEMANI / SEAL ROTARY PART
9	MEKANİK SALMASTRA KAPAĞI / MECHANICAL SEAL COVER	21	O-RING (KAYMALI YATAK KAPAĞI) / O-RING (PLAIN BEARING BOX)
10	ÇARK / IMPELLER	22	O-RING (MEKANİK SALMASTRA KAPAĞI) / O-RING (MECHANICAL SEAL BOX)
11	POMPA MİLİ / PUMP SHAFT	23	O-RING (GÖVDE) / O-RING (BODY)
12	MİL SOMUNU / SHAFT NUT		

PUMP DIAMONSION POMPA ÖLÇÜLERİ

EARS BARESHAFT PUMP EARS ÇIPLAK POMPA

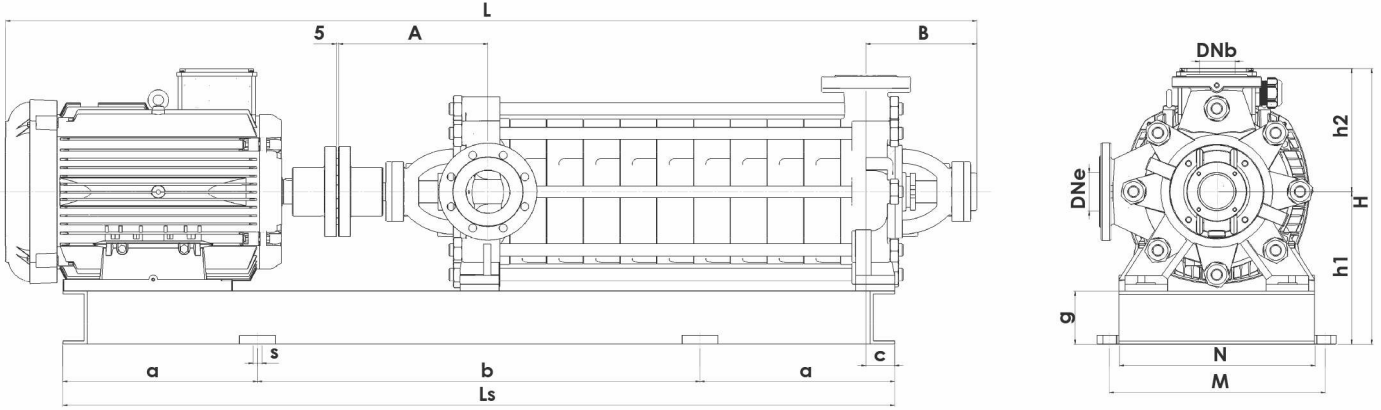


POMPA TİPİ PUMP TYPE	ÖLÇÜLER / DIMENSIONS (mm)																MİL UCU ÖLÇÜLERİ SHAFT DIMENSIONS				
	DNe	DNb	A	B	D	L	h1	h2	H	m1	m2	m3	m4	n1	n2	n3	s1	d	Lm	t	u
25	32	25	238	170	141	C+407	112	135	247	65	C+64	C+152	C+194	174	120	61	16	24	60	27	8
32	40	32	242	161	143	C+403	132	152	284	60	C+94	C+184	C+214	193	135	75	16	24	60	27	8
40	50	40	239	164	130	C+403	160	175	335	62	C+94	C+184	C+218	228	174	120	16	24	60	27	8
50	65	50	254	175	141	C+429	160	190	350	60	C+109	C+199	C+229	255	198	140	16	28	65	31	8
65	80	65	271	198	150	C+469	180	215	395	60	C+126	C+212	C+246	298	241	180	16	32	65	35	10
80	100	80	325	251	262	C+576	210	265	475	88	C-48	C+98	C+128	415	340	222	16	38	80	41	10
100	125	100	393	287	314	C+679	250	300	550	100	C-39	C+119	C+161	450	360	267	16	42	110	45	12
125	150	125	421	305	323	C+725	300	375	675	100	C-24	C+148	C+189	565	455	350	20	48	110	51.5	14
150	200	150	485	365	384	C+846	350	425	775	140	C-76	C+142	C+202	663	545	426	23	55	110	62	16
200	250	200	515	385	410	C+900	400	500	900	130	C-60	C+138	C+210	675	550	435	27	70	140	76	20
250	300	250	708	444	577	C+1152	472	627	1099	155	C-50	C+148	C+260	775	625	475	32	100	220	106	28

POMPA TİPİ PUMP TYPE	KADEME SAYISINA GÖRE "C" ÖLÇÜSÜ / "C" DIMENSIONS BY STAGE (mm)																
	1	2	3	4	5	6	7	8	9	10	11	12	13	14	15	16	17
25	68	107	146	185	224	263	302	341	380	419	458	497	536	575	614	653	692
32	69	112	155	198	241	284	327	370	413	456	499	542	585	628			
40	78	133	188	243	298	353	408	463	518	573	628	683	738				
50	90	152	214	276	338	400	462	524	586	648	710	772					
65	109	180	251	322	393	464	535	606	677	748	819						
80	107	190	273	356	439	522	605	688	771	854							
100	123	223	323	423	523	623	723	823									
125	153	268	383	498	613	728	843										
150	221	366	511	656	801												
200	267	437	607														
250	318	520	722	924													

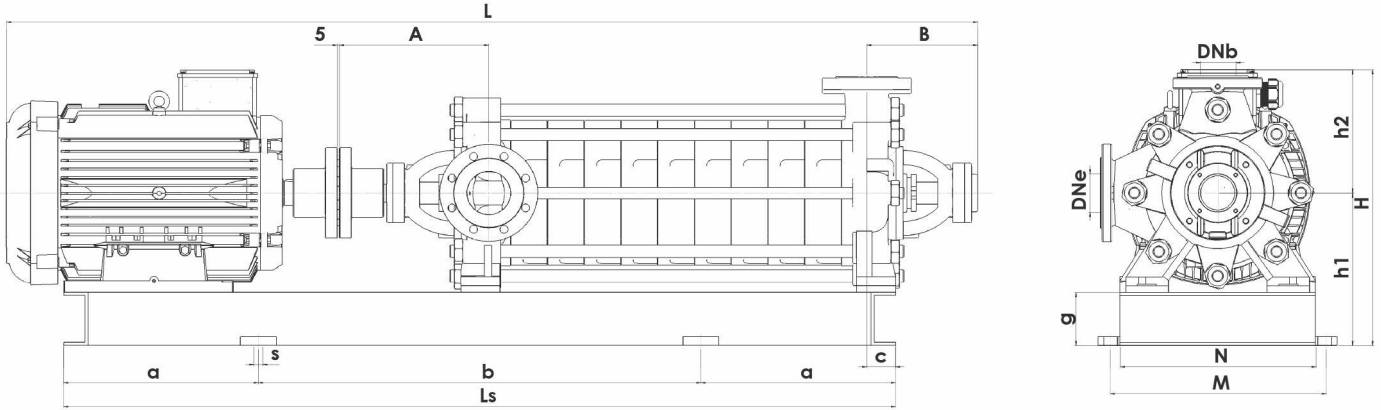
PUMP OVERALL DIMENSION POMPA MOTORLU ÖLÇÜLERİ

EARS SERIES
EARS SERISI



POMPA / PUMP		MOTOR		(PN 16 / PN40)		ÖLÇÜLER / DIMENSIONS (mm)														KAPLIN NO COUPLING NO
TİP / TYPE	Kad. Ad. St. Nu.	Kw	IEC	DN _e	DN _b	A	B	L	N	M	h ₁	h ₂	H	a	b	c	L _s	s	g	
EARS-32	2	0,55	80M	40	32	242	161	768	193	239	132	152	284	113,5	450	104	677	20	65	1
	3	0,75	80M	40	32	242	161	811	193	239	132	152	284	135	450	104	720	20	65	1
	4	1,1	90L	40	32	242	161	923	193	239	132	152	284	164,5	450	104	779	20	65	1
	5	1,1	90L	40	32	242	161	966	193	239	132	152	284	186	450	104	822	20	65	1
	6	1,5	90L	40	32	242	161	1009	193	239	132	152	284	207,5	450	104	865	20	65	1
	7	1,5	90L	40	32	242	161	1052	193	239	132	152	284	229	450	104	908	20	65	1
	8	2,2	100L	40	32	242	161	1130	200	246	132	152	284	282	450	104	1014	20	65	1
	9	2,2	100L	40	32	242	161	1173	200	246	132	152	284	178,5	700	104	1057	20	65	1
	10	2,2	100L	40	32	242	161	1216	200	246	132	152	284	200	700	104	1100	20	65	1
	11	3	100L	40	32	242	161	1259	200	246	132	152	284	221,5	700	104	1143	20	65	1
	12	3	100L	40	32	242	161	1302	200	246	132	152	284	243	700	104	1186	20	65	1
	13	3	100L	40	32	242	161	1345	200	246	132	152	284	264,5	700	104	1229	20	65	1
	14	4	112M	40	32	242	161	1431	230	276	132	152	284	289,5	700	104	1279	20	65	1

POMPA / PUMP		MOTOR		(PN 16 / PN40)		ÖLÇÜLER / DIMENSIONS (mm)														KAPLIN NO COUPLING NO
TİP / TYPE	Kad. Ad. St. Nu.	Kw	IEC	DN _e	DN _b	A	B	L	N	M	h ₁	h ₂	H	a	b	c	L _s	s	g	
EARS-40	2	1,1	90L	50	40	239	164	858	228	274	160	175	335	133,5	450	109	717	20	65	1
	3	1,5	90L	50	40	239	164	913	228	274	160	175	335	161	450	109	772	20	65	1
	4	2,2	100L	50	40	239	164	1003	228	274	160	175	335	220	450	109	890	20	65	1
	5	3	100L	50	40	239	164	1058	228	274	160	175	335	247,5	450	109	945	20	65	1
	6	3	100L	50	40	239	164	1113	228	274	160	175	335	275	450	109	1000	20	65	1
	7	4	112M	50	40	239	164	1211	230	276	160	175	335	181	700	109	1062	20	65	1
	8	4	112M	50	40	239	164	1266	230	276	160	175	335	208,5	700	109	1117	20	65	1
	9	5,5	132M	50	40	239	164	1401	260	306	160	175	335	255,5	700	109	1211	20	80	2
	10	5,5	132M	50	40	239	164	1456	260	306	160	175	335	283	700	109	1266	20	80	2
	11	5,5	132M	50	40	239	164	1511	260	306	160	175	335	310,5	700	109	1321	20	80	2
	12	7,5	132M	50	40	239	164	1566	260	306	160	175	335	338	700	109	1376	20	80	2

PUMP OVERALL DIMENSION
POMPA MOTORLU ÖLÇÜLERİ
1450 RPM & D/D
EARS SERIES
 EARS SERISI


POMPA / PUMP		MOTOR		(PN 16 / PN40)		ÖLÇÜLER / DIMENSIONS (mm)													KAPLIN NO COUPLING NO	
TİP / TYPE	Kad. Ad. St. Nu.	Kw	IEC	DNe	DNb	A	B	L	N	M	h1	h2	H	a	b	c	Ls	s	g	
EARS-50	2	2,2	100L	65	50	254	175	938	255	301	225	190	415	167,5	450	117	785	20	65	1
	3	3	100L	65	50	254	175	1000	255	301	225	190	415	198,5	450	117	847	20	65	1
	4	4	112M	65	50	254	175	1103	255	301	225	190	415	245	450	117	940	20	65	1
	5	5,5	132M	65	50	254	175	1244	260	306	240	190	430	179,5	700	117	1059	20	80	2
	6	5,5	132M	65	50	254	175	1306	260	306	240	190	430	211	700	117	1121	20	80	2
	7	7,5	132M	65	50	254	175	1368	260	306	240	190	430	263	700	117	1225	20	80	2
	8	7,5	132M	65	50	254	175	1430	260	306	240	190	430	293	700	117	1285	20	80	2
	9	11	160M	65	50	254	175	1638	312	358	240	190	430	366	700	117	1431	20	80	2

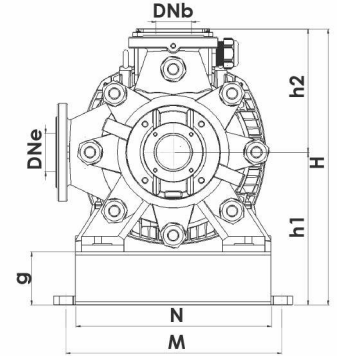
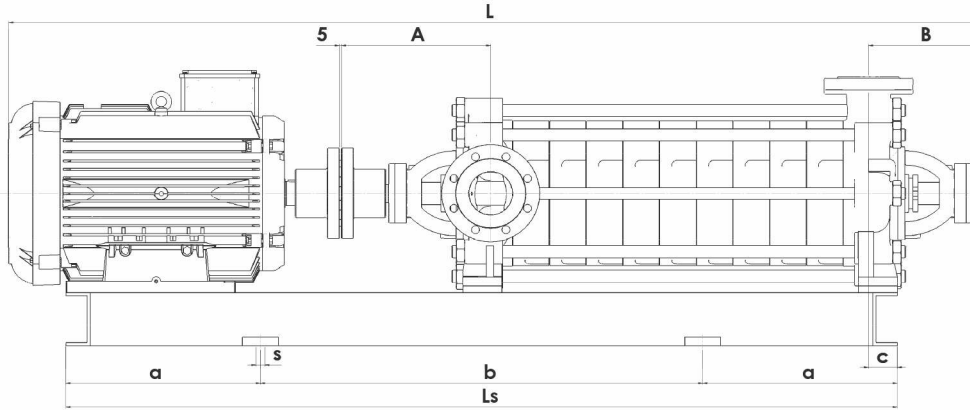
POMPA / PUMP		MOTOR		(PN 16 / PN40)		ÖLÇÜLER / DIMENSIONS (mm)													KAPLIN NO COUPLING NO	
TİP / TYPE	Kad. Ad. St. Nu.	Kw	IEC	DNe	DNb	A	B	L	N	M	h1	h2	H	a	b	c	Ls	s	g	
EARS-65	2	4	112M	80	65	271	198	1065	300	346	260	215	475	219	450	125	887	20	80	2
	3	5,5	132M	80	65	271	198	1197	300	346	260	215	475	149	700	125	998	20	80	2
	4	7,5	132M	80	65	271	198	1268	300	346	260	215	475	204	700	125	1107	20	80	2
	5	11	160M	80	65	271	198	1439	312	358	260	215	475	259	700	125	1218	20	80	2
	6	15	160L	80	65	271	198	1510	312	358	260	215	475	294,5	700	125	1289	20	80	2
	7	15	160L	80	65	271	198	1581	312	358	260	215	475	330	700	125	1360	20	80	2

POMPA / PUMP		MOTOR		(PN 16 / PN40)		ÖLÇÜLER / DIMENSIONS (mm)													KAPLIN NO COUPLING NO	
TİP / TYPE	Kad. Ad. St. Nu.	Kw	IEC	DNe	DNb	A	B	L	N	M	h1	h2	H	a	b	c	Ls	s	g	
EARS-80	2	11	160M	100	80	325	251	1347	415	461	310	265	575	156,5	700	65	1013	20	100	2
	3	15	160L	100	80	325	251	1430	415	461	310	265	575	221	700	65	1142	20	100	2
	4	18,5	180M	100	80	325	251	1566	415	461	310	265	575	109	1000	65	1218	20	100	3
	5	22	180L	100	80	325	251	1649	415	461	310	265	575	169,5	1000	65	1339	20	100	3
	6	30	200L	100	80	325	251	1768	415	461	310	265	575	204	1000	65	1408	20	100	3
	7	37	225M	100	80	325	251	1951	436	482	345	265	610	280	1000	65	1560	20	120	3
	8	37	225M	100	80	325	251	2034	436	482	345	265	610	316,5	1000	65	1633	20	120	3
	9	45	225M	100	80	325	251	2117	436	482	345	265	610	358	1000	65	1716	20	120	3
	10	45	225M	100	80	325	251	2200	436	482	345	265	610	399,5	1000	65	1799	20	120	3

PUMP OVERALL DIMENSION

POMPA MOTORLU ÖLÇÜLERİ

1450 RPM & D/D

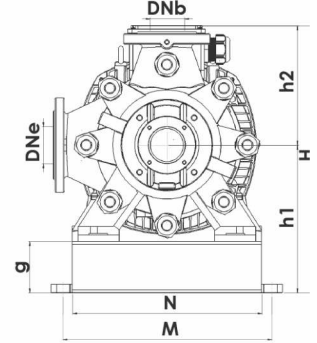
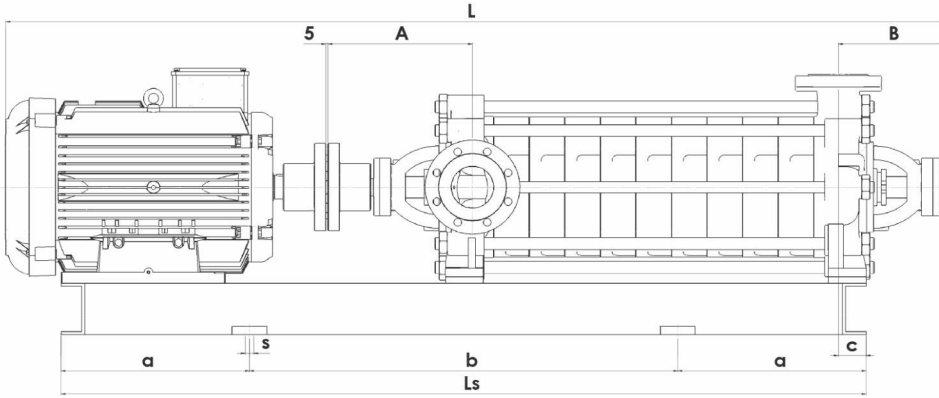
EARS SERIES
EARS SERISI

POMPA / PUMP		MOTOR		(PN 16 / PN40)		ÖLÇÜLER / DIMENSIONS (mm)														KAPLIN NO COUPLING NO
TİP / TYPE	Kad. Ad. St. Nu.	Kw	IEC	DNe	DNb	A	B	L	N	M	h1	h2	H	a	b	c	Ls	s	g	
EARS-100	2	22	180L	125	100	393	287	1536	450	496	350	300	650	256	700	83	1212	20	100	3
	3	37	225M	125	100	393	287	1772	450	496	370	300	670	181,5	1000	83	1363	20	120	3
	4	45	225M	125	100	393	287	1872	450	496	370	300	670	231,5	1000	83	1463	20	120	3
	5	55	250M	125	100	393	287	2093	484	530	370	300	670	342	1000	83	1684	20	120	4
	6	75	280M	125	100	393	287	2332	550	596	420	300	720	461,5	1000	83	1923	20	140	4
	7	75	280M	125	100	393	287	2432	550	596	420	300	720	511,5	1000	83	2023	20	140	4
	8	90	280M	125	100	393	287	2532	550	596	420	300	720	561,5	1000	83	2123	20	140	4

POMPA / PUMP		MOTOR		(PN 16 / PN40)		ÖLÇÜLER / DIMENSIONS (mm)														KAPLIN NO COUPLING NO
TİP / TYPE	Kad. Ad. St. Nu.	Kw	IEC	DNe	DNb	A	B	L	N	M	h1	h2	H	a	b	c	Ls	s	g	
EARS-125	2	55	250M	150	125	421	305	1881	565	611	420	375	795	238	1000	92	1475	20	120	3
	3	90	280M	150	125	421	305	2129	565	611	440	375	815	348	1000	92	1696	20	140	4
	4	110	315S	150	125	421	305	2369	630	676	475	375	850	444	1000	92	1887	20	160	5
	5	132	315M	150	125	421	305	2526	630	676	475	375	850	277	1500	92	2053	20	160	5
	6	160	315M	150	125	421	305	2421	630	676	475	375	850	219	1500	92	1938	20	160	5

POMPA / PUMP		MOTOR		(PN 16 / PN40)		ÖLÇÜLER / DIMENSIONS (mm)														KAPLIN NO COUPLING NO
TİP / TYPE	Kad. Ad. St. Nu.	Kw	IEC	DNe	DNb	A	B	L	N	M	h1	h2	H	a	b	c	Ls	s	g	
EARS-150	2	132	315M	200	150	485	365	2367	663	709	510	425	935	418,5	1000	101	1837	20	160	5
	3	185	315L	200	150	485	365	2624	663	709	510	425	935	547	1000	101	2094	20	160	5

POMPA / PUMP		MOTOR		(PN 16 / PN40)		ÖLÇÜLER / DIMENSIONS (mm)														KAPLIN NO COUPLING NO
TİP / TYPE	Kad. Ad. St. Nu.	Kw	IEC	DNe	DNb	A	B	L	N	M	h1	h2	H	a	b	c	Ls	s	g	
EARS-200	2	315	355M	250	200	515	385	2712	740	786	580	500	1080	395	1500	100	2290	20	180	5
	3	400	355L	250	200	515	385	3416	740	786	580	500	1080	747	1500	100	2994	20	180	5

PUMP OVERALL DIMENSION
POMPA MOTORLU ÖLÇÜLERİ
2900 RPM & D/D
EARS SERIES
EARS SERİSİ


POMPA / PUMP		MOTOR		(PN 16 / PN40)		ÖLÇÜLER / DIMENSIONS (mm)													KAPLIN NO COUPLING NO	
TİP / TYPE	Kad. Ad. St. Nu.	Kw	IEC	DNe	DNb	A	B	L	N	M	h1	h2	H	a	b	c	Ls	s	g	
EARS-25	3	1,5	90L	32	25	238	170	875	176	222	177	135	312	134	450	97	717	20	65	1
	4	2,2	90L	32	25	238	170	914	176	222	177	135	312	153	450	97	756	20	65	1
	5	2,2	90L	32	25	238	170	953	176	222	177	135	312	173	450	97	795	20	65	1
	6	3	100L	32	25	238	170	1027	176	222	177	135	312	224	450	97	897	20	65	1
	7	3	100L	32	25	238	170	1066	176	222	177	135	312	243	450	97	936	20	65	1
	9	4	112M	32	25	238	170	1149	200	246	177	135	312	141	700	97	982	20	65	1
	10	4	112M	32	25	238	170	1188	200	246	177	135	312	161	700	97	1021	20	65	1
	13	5,5	132S	32	25	238	170	1271	200	246	197	135	332	200	700	97	1099	20	65	1
	15	7,5	132S	32	25	238	170	1310	230	276	197	135	332	219	700	97	1138	20	65	1
	17	7,5	132M	32	25	238	170	1384	230	276	197	135	332	239	700	97	1177	20	65	1

POMPA / PUMP		MOTOR		(PN 16 / PN40)		ÖLÇÜLER / DIMENSIONS (mm)													KAPLIN NO COUPLING NO	
TİP / TYPE	Kad. Ad. St. Nu.	Kw	IEC	DNe	DNb	A	B	L	N	M	h1	h2	H	a	b	c	Ls	s	g	
EARS-32	2	2,2	90L	40	32	242	161	842	193	239	197	152	349	122	450	104	693	20	65	1
		3	100L	40	32	242	161	877	200	246	197	152	349	153	450	104	756	20	65	1
		4	112M	40	32	242	161	921	230	276	197	152	349	157	450	104	763	20	65	1
	3	3	100L	40	32	242	161	920	200	246	197	152	349	175	450	104	799	20	65	1
		4	112M	40	32	242	161	964	230	276	197	152	349	178	450	104	806	20	65	1
		5,5	132S	40	32	242	161	816	260	306	197	182	379	135	450	104	720	20	65	2
	4	3	100L	40	32	242	161	963	200	246	197	152	349	196	450	104	842	20	65	1
		4	112M	40	32	242	161	1007	230	276	197	152	349	200	450	104	849	20	65	1
		5,5	132S	40	32	242	161	1051	260	306	197	182	379	219	450	104	888	20	65	2
	5	4	112M	40	32	242	161	1050	230	276	197	152	349	221	450	104	892	20	65	1
		5,5	132S	40	32	242	161	1094	260	306	197	182	379	241	450	104	931	20	65	2
		7,5	132S	40	32	242	161	1129	260	306	197	182	379	241	450	104	931	20	65	2
	6	5,5	132S	40	32	242	161	1137	260	306	197	182	379	137	700	104	974	20	65	2
		7,5	132S	40	32	242	161	1172	260	306	197	182	379	137	700	104	974	20	65	2
		11	160M	40	32	242	161	1268	312	358	240	200	440	201	700	104	1102	20	80	2
	7	5,5	132S	40	32	242	161	1180	260	306	197	182	379	159	700	104	1017	20	65	2
		7,5	132S	40	32	242	161	1215	260	306	197	182	379	159	700	104	1017	20	65	2
		11	160M	40	32	242	161	1311	312	358	240	200	440	223	700	104	1145	20	80	2
	8	5,5	132S	40	32	242	161	1223	260	306	197	182	379	180	700	104	1060	20	65	2
		7,5	132S	40	32	242	161	1258	260	306	197	182	379	180	700	104	1060	20	65	2
		11	160M	40	32	242	161	1354	312	358	240	200	440	244	700	104	1188	20	80	2
9	7,5	132S	40	32	242	161	1301	260	306	197	182	379	202	700	104	1103	20	65	2	
	11	160M	40	32	242	161	1397	312	358	240	200	440	266	700	104	1231	20	80	2	
	15	160L	40	32	242	161	1397	312	358	240	200	440	266	700	104	1231	20	80	2	

PUMP OVERALL DIMENSION

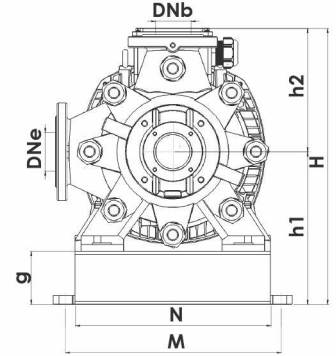
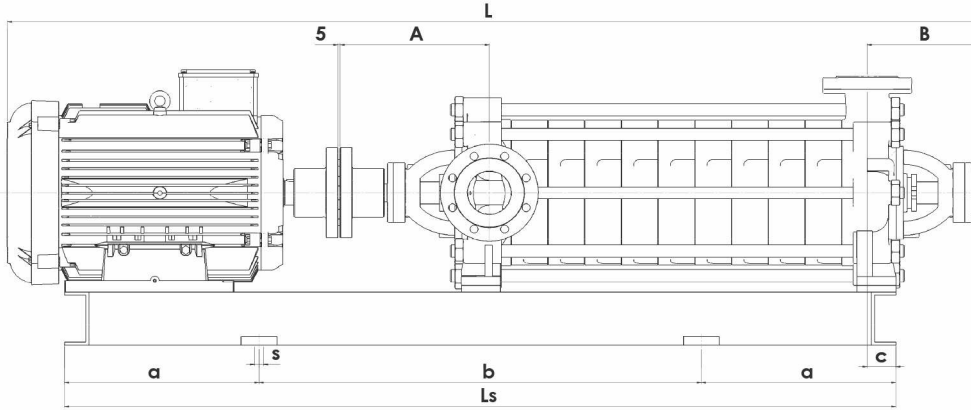
POMPA MOTORLU ÖLÇÜLERİ

2900 RPM & D/D

EARS SERIES
EARS SERISI

POMPA / PUMP		MOTOR		(PN 16 / PN40)		ÖLÇÜLER / DIMENSIONS (mm)														KAPLIN NO COUPLING NO
TİP / TYPE	Kad. Ad. St. Nu.	Kw	IEC	DNe	DNb	A	B	L	N	M	h1	h2	H	a	b	c	LS	s	g	
EARS-32	10	7,5	132S	40	32	242	161	1339	260	306	197	182	379	223	700	104	1146	20	65	2
		11	160M	40	32	242	161	1435	312	358	240	200	440	287	700	104	1274	20	80	2
		15	160M	40	32	242	161	1435	312	358	240	200	440	287	700	104	1274	20	80	2
	11	11	160M	40	32	242	161	1478	312	358	240	200	440	309	700	104	1317	20	80	2
		15	160M	40	32	242	161	1478	312	358	240	200	440	309	700	104	1317	20	80	2
		18,5	160L	40	32	242	161	1478	312	358	240	200	440	331	700	104	1361	20	80	2
	12	11	160M	40	32	242	161	1521	312	358	240	200	440	330	700	104	1360	20	80	2
		15	160M	40	32	242	161	1521	312	358	240	200	440	330	700	104	1360	20	80	2
		18,5	160L	40	32	242	161	1521	312	358	240	200	440	352	700	104	1404	20	80	2

POMPA / PUMP		MOTOR		(PN 16 / PN40)		ÖLÇÜLER / DIMENSIONS (mm)														KAPLIN NO COUPLING NO
TİP / TYPE	Kad. Ad. St. Nu.	Kw	IEC	DNe	DNb	A	B	L	N	M	h1	h2	H	a	b	c	LS	s	g	
EARS-40	2	4	112M	50	40	239	164	997	230	276	225	175	400	196	450	109	842	20	65	1
		5,5	132S	50	40	239	164	1041	260	306	225	182	407	216	450	109	881	20	65	2
		7,5	132S	50	40	239	164	1076	260	306	225	182	407	216	450	109	881	20	65	2
	3	5,5	132S	50	40	239	164	1096	260	306	225	182	407	243	450	109	936	20	65	2
		7,5	132S	50	40	239	164	1131	260	306	225	182	407	243	450	109	936	20	65	2
		11	160M	50	40	239	164	1227	312	358	240	200	440	182	700	109	1064	20	80	2
	4	7,5	132S	50	40	239	164	1186	260	306	225	182	407	146	700	109	991	20	65	2
		11	160M	50	40	239	164	1282	312	358	240	200	440	210	700	109	1119	20	80	2
		15	160M	50	40	239	164	1282	312	358	240	200	440	210	700	109	1119	20	80	2
	5	11	160M	50	40	239	164	1337	312	358	240	200	440	237	700	109	1174	20	80	2
		15	160M	50	40	239	164	1337	312	358	240	200	440	237	700	109	1174	20	80	2
		18,5	160L	50	40	239	164	1337	312	358	240	200	440	237	700	109	1174	20	80	2
	6	11	160M	50	40	239	164	1392	312	358	240	200	440	265	700	109	1229	20	80	2
		15	160M	50	40	239	164	1392	312	358	240	200	440	265	700	109	1229	20	80	2
		22	180M	50	40	239	164	1445	354	400	260	248	508	137	1000	109	1273	20	100	3
	7	15	160M	50	40	239	164	1447	312	358	240	200	440	142	1000	109	1284	20	80	2
		18,5	160L	50	40	239	164	1447	312	358	240	200	440	142	1000	109	1284	20	80	2
		30	200L	50	40	239	164	1536	400	446	300	261	561	210	1000	109	1419	20	100	3
	8	15	160M	50	40	239	164	1502	312	358	240	200	440	170	1000	109	1339	20	80	2
		22	180M	50	40	239	164	1555	354	400	280	248	528	192	1000	109	1383	20	100	3
		30	200L	50	40	239	164	1591	400	436	300	261	561	237	1000	109	1474	20	100	3
	9	15	160M	50	40	239	164	1557	312	358	240	200	440	197	1000	109	1394	20	80	2
		22	180M	50	40	239	164	1610	354	400	280	248	528	219	1000	109	1438	20	100	3
		37	200L	50	40	239	164	1646	400	446	300	261	561	265	1000	109	1529	20	100	3
	10	18,5	160L	50	40	239	164	1612	312	358	240	200	440	225	1000	109	1449	20	80	2
		30	200L	50	40	239	164	1701	400	446	300	261	561	292	1000	109	1584	20	100	3
		45	225M	50	40	239	164	1771	438	484	345	279	624	303	1000	109	1606	20	120	3
	11	22	180M	50	40	239	164	1720	354	400	280	248	528	274	1000	109	1548	20	100	3
		30	200L	50	40	239	164	1756	400	446	300	261	561	320	1000	109	1639	20	100	3
		45	225M	50	40	239	164	1826	438	484	345	279	624	331	1000	109	1661	20	120	3
12	22	180M	50	40	239	164	1775	354	400	240	248	488	302	1000	109	1603	20	100	3	
	30	200L	50	40	239	164	1811	400	446	300	21	321	347	1000	109	1694	20	100	3	
	55	250M	50	40	239	164	2032	484	530	370	365	735	409	1000	109	1818	20	120	3	

PUMP OVERALL DIMENSION
POMPA MOTORLU ÖLÇÜLERİ
2900 RPM & D/D
EARS SERIES
EARS SERISI


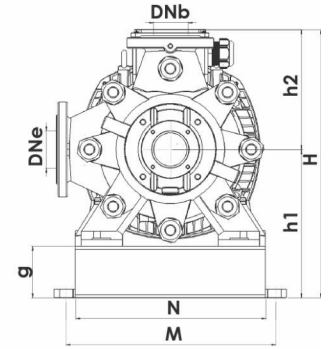
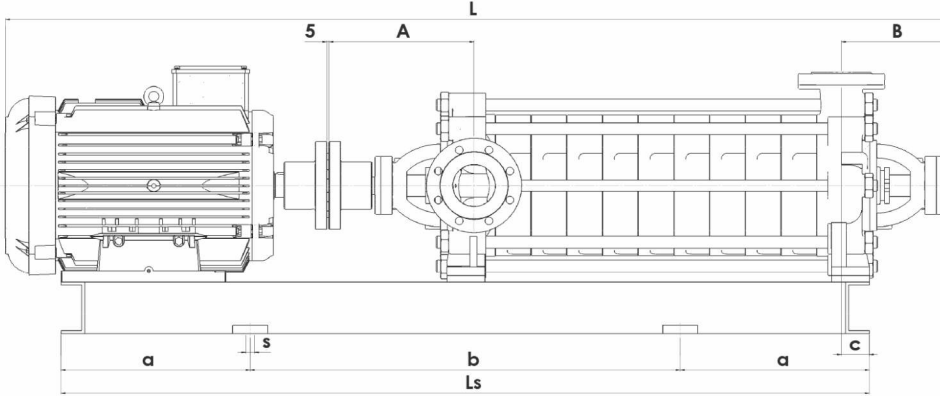
POMPA / PUMP		MOTOR		(PN 16 / PN40)		ÖLÇÜLER / DIMENSIONS (mm)														KAPLIN NO COUPLING NO
TİP / TYPE	Kad. Ad. St. Nu.	Kw	IEC	DNe	DNb	A	B	L	N	M	h1	h2	H	a	b	c	Ls	s	g	
EARS-50	2	7,5	132S	65	50	254	175	1066	260	306	197	190	387	211	450	117	871	20	65	2
		11	160M	65	50	254	175	1282	312	358	240	200	440	210	700	117	1119	20	80	2
		15	160M	65	50	254	175	1282	312	358	240	200	440	210	700	117	1119	20	80	2
	3	11	160M	65	50	254	175	1217	312	358	240	200	440	177	700	117	1054	20	80	2
		15	160M	65	50	254	175	1392	312	358	240	200	440	265	700	117	1229	20	80	2
		22	180M	65	50	254	175	1445	354	400	280	248	528	287	700	117	1273	20	100	3
	4	15	160M	65	50	254	175	1162	312	358	240	200	440	148	700	117	995	20	80	2
		18,5	160L	65	50	254	175	1162	312	358	240	200	440	148	700	117	995	20	80	2
		30	200L	65	50	254	175	1251	400	446	300	261	561	65	1000	117	1130	20	100	3
	5	15	160M	65	50	254	175	1224	312	358	240	200	440	179	700	117	1057	20	80	2
		22	180M	65	50	254	175	1277	354	400	280	248	528	201	700	117	1101	20	100	3
		37	200L	65	50	254	175	1313	400	446	300	261	561	96	1000	117	1192	20	100	3
	6	22	180M	65	50	254	175	1339	354	400	280	248	528	232	700	117	1163	20	100	3
		30	200L	65	50	254	175	1375	400	446	300	261	561	127	1000	117	1254	20	100	3
		45	225M	65	50	254	175	1445	438	484	345	279	624	138	1000	117	1276	20	120	3
	7	22	180M	65	50	254	175	1401	354	400	280	248	528	113	1000	117	1225	20	100	3
		37	200L	65	50	254	175	1437	400	446	300	261	561	158	1000	117	1316	20	100	3
		55	250M	65	50	254	175	1658	484	530	370	365	735	220	1000	117	1440	20	120	3
	8	30	200L	65	50	254	175	1499	400	446	300	261	561	189	1000	117	1378	20	100	3
		37	200L	65	50	254	175	1499	400	446	300	261	561	189	1000	117	1378	20	100	3
75		280S	65	50	254	175	1859	556	602	420	367	787	46	1500	117	1592	20	140	4	
9	30	200L	65	50	254	175	1561	400	446	300	261	561	220	1000	117	1440	20	100	3	
	45	225M	65	50	254	175	1361	438	484	345	279	624	231	1000	117	1462	20	120	3	
	75	280M	65	50	254	175	1921	556	602	420	367	787	77	1500	117	1654	20	140	4	

PUMP OVERALL DIMENSION

POMPA MOTORLU ÖLÇÜLERİ

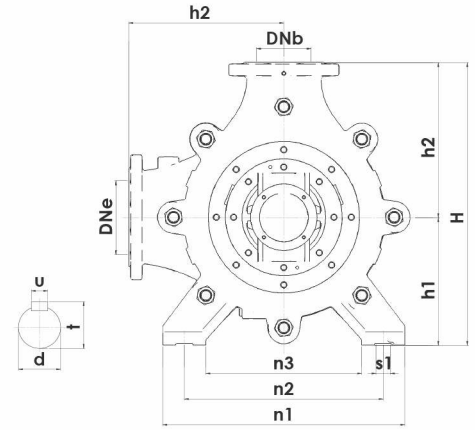
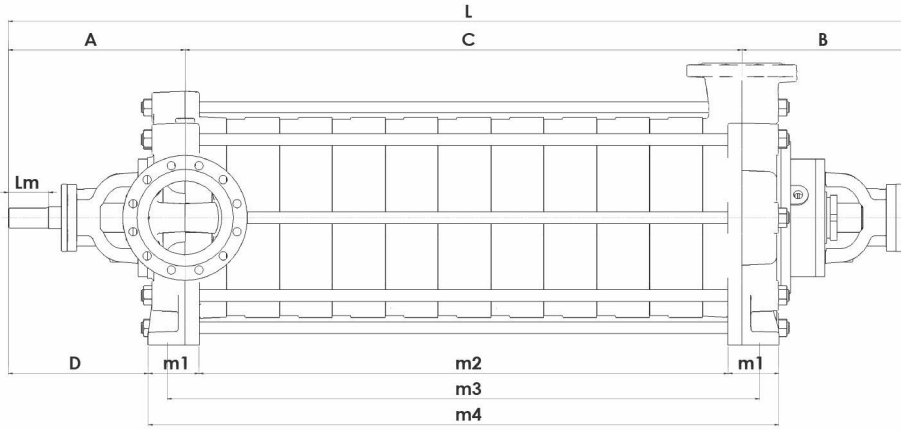
2900 RPM & D/D

EARS SERIES
EARS SERİSİ



POMPA / PUMP		MOTOR		(PN 16 / PN40)		ÖLÇÜLER / DIMENSIONS (mm)														KAPLIN NO COUPLING NO
TİP / TYPE	Kad. Ad. St. Nu.	Kw	IEC	DN _e	DN _b	A	B	L	N	M	h ₁	h ₂	H	a	b	c	L _s	s	g	
EARS-65	2	18,5	160L	80	65	271	198	1230	312	358	260	215	475	175	700	125	1049	20	100	2
		22	180M	80	65	271	198	1283	354	400	280	248	528	197	700	125	1093	20	100	3
		37	200L	80	65	271	198	1319	400	446	300	261	561	242	700	125	1184	20	100	3
	3	30	200L	80	65	271	198	1390	400	446	300	261	561	278	700	125	1255	20	100	3
		37	200L	80	65	271	198	1390	400	446	300	261	561	278	700	125	1255	20	100	3
		55	250M	80	65	271	198	1611	484	530	370	365	735	190	1000	125	1379	20	120	3
	4	37	200L	80	65	271	198	1461	400	446	300	261	561	163	1000	125	1326	20	100	3
		45	225M	80	65	271	198	1531	438	484	345	279	624	174	1000	125	1348	20	120	3
		75	280M	80	65	271	198	1821	556	602	420	367	787	270	1000	125	1540	20	140	4
	5	45	225M	80	65	271	198	1602	438	484	345	279	624	210	1000	125	1419	20	120	3
		75	280S	80	65	271	198	1892	556	602	420	367	787	306	1000	125	1611	20	140	4
		90	280M	80	65	271	198	1892	556	602	420	367	787	306	1000	125	1611	20	140	4
	6	55	250M	80	65	271	198	1824	484	530	370	365	735	296	1000	125	1592	20	120	3
		75	280S	80	65	271	198	1963	556	602	420	367	787	341	1000	125	1682	20	140	4
		110	280M	80	65	271	198	1963	630	676	475	367	842	341	1000	125	1682	20	160	4
7	75	280S	80	65	271	198	2034	556	602	420	367	787	377	1000	125	1753	20	140	4	
	90	280M	80	65	271	198	2034	556	602	420	367	787	377	1000	125	1753	20	140	4	
	110	280M	80	65	271	198	2034	630	676	475	367	842	377	1000	125	1753	20	160	4	

POMPA / PUMP		MOTOR		(PN 16 / PN40)		ÖLÇÜLER / DIMENSIONS (mm)														KAPLIN NO COUPLING NO
TİP / TYPE	Kad. Ad. St. Nu.	Kw	IEC	DN _e	DN _b	A	B	L	N	M	h ₁	h ₂	H	a	b	c	L _s	s	g	
EARS-80	2	37	200L	100	80	325	251	1436	415	461	310	265	575	244	700	65	1188	20	100	3
		45	225M	100	80	325	251	1506	438	484	345	279	624	255	700	65	1210	20	120	3
		55	250M	100	80	325	251	1657	484	530	370	365	735	306	700	65	1312	20	120	3
	3	55	250M	100	80	325	251	1740	484	530	370	365	735	198	1000	65	1395	20	120	3
		75	280S	100	80	325	251	1879	556	602	420	367	787	243	1000	65	1485	20	140	4
		90	280M	100	80	325	251	1879	556	602	420	367	787	243	1000	65	1485	20	140	4
	4	75	280S	100	80	325	251	1962	556	602	420	367	787	284	1000	65	1568	20	140	4
		90	280M	100	80	325	251	1962	556	602	420	367	787	284	1000	65	1568	20	140	4
		110	280M	100	80	325	251	1962	630	676	475	367	842	284	1000	65	1568	20	160	4
	5	90	280M	100	80	325	251	2045	556	602	420	367	787	326	1000	65	1651	20	140	4
		110	280M	100	80	325	251	2045	630	676	475	367	842	326	1000	65	1651	20	160	4
		160	315M	100	80	325	251	2140	630	676	475	525	1000	363	1000	65	1726	20	160	4

PUMP DIMENSION
POMPA ÖLÇÜLERİ
EARS-DD BARESHAFT PUMP
EARS-DD ÇIPLAK POMPA


POMPA TİPİ POMPA TYPE	ÖLÇÜLER / DIMENSIONS (mm)																MİL UCU ÖLÇÜLERİ SHAFT DIMENSIONS				
	DNe	DNb	A	B	D	L	h1	h2	H	m1	m2	m3	m4	n1	n2	n3	s1	d	Lm	t	u
65	80	65	271	269	150	C+540	180	215	395	60	C+197	C+283	C+317	298	241	180	16	32	65	35	10
80	100	80	325	311	262	C+639	210	265	475	88	C-48	C+98	C+128	415	340	222	16	38	80	41	10
100	125	100	393	371	314	C+763	250	300	550	100	C-39	C+119	C+161	450	360	267	16	42	110	45	12
125	150	125	421	389	323	C+809	300	375	675	100	C-24	C+148	C+189	565	455	350	20	48	110	52	14
150	200	150	485	455	384	C+936	350	425	775	140	C-76	C+142	C+202	663	545	426	23	55	110	62	16
200	250	200	515	385	410	C+900	400	500	900	133	C-65	C+100	C+201	675	550	425	26	70	140	75	20

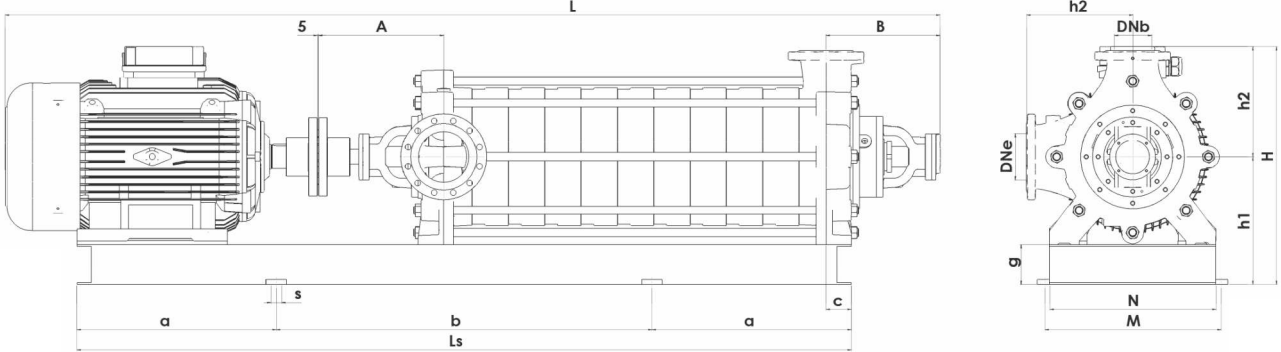
POMPA TİPİ POMPA TYPE	KADEME SAYISINA GÖRE "C" ÖLÇÜSÜ / "C" DIMENSIONS BY STAGE (mm)														
	1	2	3	4	5	6	7	8	9	10	11	12	13	14	15
65					393	464	535	606	677	748					
80					439	522	605	688	771	854	937	1020	1103	1186	1269
100								823	923	1023	1123	1223	1323	1423	1523
125								958	1073	1188	1303	1418			
150				656	801	946	1091	1236	1381	1526					
200				777	947	1117									

PUMP OVERALL DIMENSION

POMPA MOTORLU ÖLÇÜLERİ

1450 RPM & D/D

EARS-DD SERIES
EARS-DD SERISI



POMPA / PUMP		MOTOR		(PN 16 / PN40)		ÖLÇÜLER / DIMENSIONS (mm)													KAPLIN NO COUPLING NO		
TİP / TYPE	Kad. Ad. Nu.	St.	Kw	IEC	DNe	DNb	A	B	L	N	M	h1	h2	H	a	b	c	Ls	s	g	
EARS-DD 65	9		18,5	180M	80	65	271	269	1856	360	410	280	248	528	333	1000	196	1666	20	100	3
	10		22	180L	80	65	271	269	1927	360	410	280	248	528	369	1000	196	1737	20	100	3
	11		22	180L	80	65	271	269	1998	360	410	280	248	528	404	1000	196	1808	20	100	3

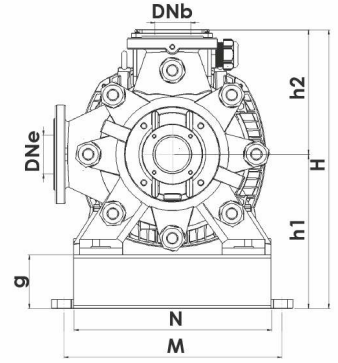
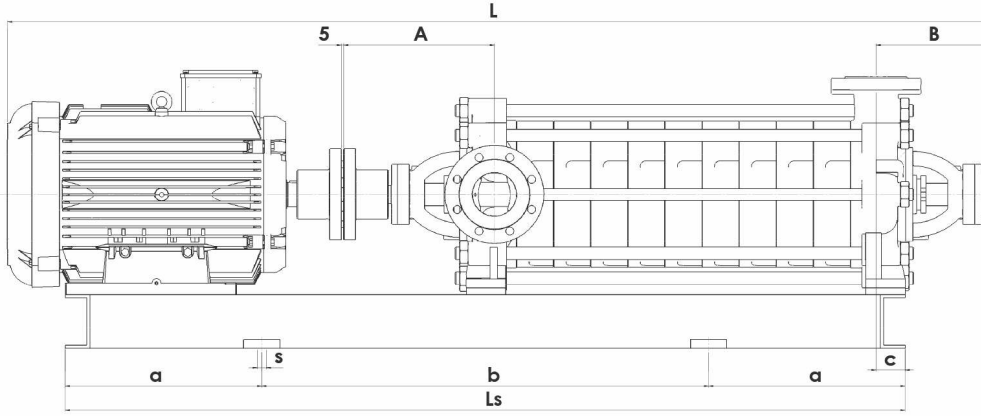
POMPA / PUMP		MOTOR		(PN 16 / PN40)		ÖLÇÜLER / DIMENSIONS (mm)													KAPLIN NO COUPLING NO		
TİP / TYPE	Kad. Ad. Nu.	St.	Kw	IEC	DNe	DNb	A	B	L	N	M	h1	h2	H	a	b	c	Ls	s	g	
EARS-DD 80	9		37	225M	100	80	325	311	2185	436	486	345	279	624	402	1000	63	1803	20	120	3
	10		45	225M	100	80	325	311	2268	436	486	345	279	624	193	1500	63	1886	20	120	3
	11		45	225M	100	80	325	311	2351	436	486	345	279	624	235	1500	63	1969	20	120	3
	12		55	250M	100	80	325	311	2555	485	535	390	365	755	325	1500	63	2149	20	140	3
	13		55	250M	100	80	325	311	2638	485	535	390	365	755	366	1500	63	2232	20	140	3
	14		75	280M	100	80	325	311	2860	536	586	420	367	787	458	1500	63	2415	20	140	4

POMPA / PUMP		MOTOR		(PN 16 / PN40)		ÖLÇÜLER / DIMENSIONS (mm)													KAPLIN NO COUPLING NO		
TİP / TYPE	Kad. Ad. Nu.	St.	Kw	IEC	DNe	DNb	A	B	L	N	M	h1	h2	H	a	b	c	Ls	s	g	
EARS-DD 100	8		90	280M	125	100	393	371	2621	536	586	420	367	787	315	1500	78	2130	20	140	4
	9		110	280M	125	100	393	371	2721	620	670	440	367	807	365	1500	78	2230	20	160	4
	10		110	280M	125	100	393	371	2821	620	670	440	367	807	415	1500	78	2330	20	160	4
	11		132	315M	125	100	393	371	3046	620	670	475	525	1000	263	2000	78	2525	20	160	4
	12		132	315M	125	100	393	371	3146	620	670	475	525	1000	313	2000	78	2625	20	160	4
	13		160	315M	125	100	393	371	3246	620	670	475	525	1000	363	2000	78	2725	20	160	4
	14		160	315M	125	100	393	371	3346	620	670	475	525	1000	413	2000	78	2825	20	160	4
15		185	315L	125	100	393	371	3516	620	670	475	525	1000	488	2000	78	2976	20	160	4	

POMPA / PUMP		MOTOR		(PN 16 / PN40)		ÖLÇÜLER / DIMENSIONS (mm)													KAPLIN NO COUPLING NO		
TİP / TYPE	Kad. Ad. Nu.	St.	Kw	IEC	DNe	DNb	A	B	L	N	M	h1	h2	H	a	b	c	Ls	s	g	
EARS-DD 125	7		185	315L	150	125	421	389	2882	620	670	475	525	1000	418	1500	90	2336	20	160	4
	8		200	315L	150	125	421	389	2997	620	670	475	525	1000	476	1500	90	2451	20	160	4
	9		250	355M	150	125	421	389	3262	718	768	535	635	1170	392	2000	90	2784	20	180	5
	10		250	355M	150	125	421	389	3377	718	768	535	635	1170	450	2000	90	2899	20	180	5
	11		315	355M	150	125	421	389	3492	718	768	535	635	1170	507	2000	90	3014	20	180	5
	12		315	355M	150	125	421	389	3607	718	768	535	635	1170	565	2000	90	3129	20	180	5

POMPA / PUMP		MOTOR		(PN 16 / PN40)		ÖLÇÜLER / DIMENSIONS (mm)													KAPLIN NO COUPLING NO		
TİP / TYPE	Kad. Ad. Nu.	St.	Kw	IEC	DNe	DNb	A	B	L	N	M	h1	h2	H	a	b	c	Ls	s	g	
EARS-DD 150	4		250	355M	200	150	485	455	2972	718	768	535	635	1170	220	2000	101	2439	20	180	5
	5		315	355M	200	150	485	455	3117	718	768	535	635	1170	292	2000	101	2584	20	180	5
	6		355	355M	200	150	485	455	3262	718	768	535	635	1170	365	2000	101	2729	20	180	5
	7		450	355L	İSTEK HALİNDE / ON REQUEST																
	8		500	355L																	
	9		560	400L																	
10		630	400L																		

POMPA / PUMP		MOTOR		(PN 16 / PN40)		ÖLÇÜLER / DIMENSIONS (mm)													KAPLIN NO COUPLING NO		
TİP / TYPE	Kad. Ad. Nu.	St.	Kw	IEC	DNe	DNb	A	B	L	N	M	h1	h2	H	a	b	c	Ls	s	g	
EARS-DD 200	4		560	400L	İSTEK HALİNDE / ON REQUEST																
	5		710	400L																	
	6		800	450L																	

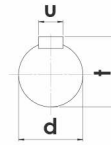
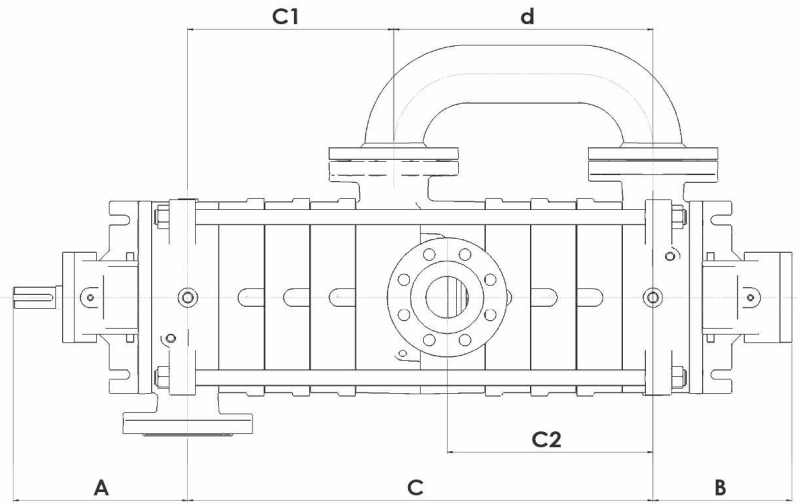
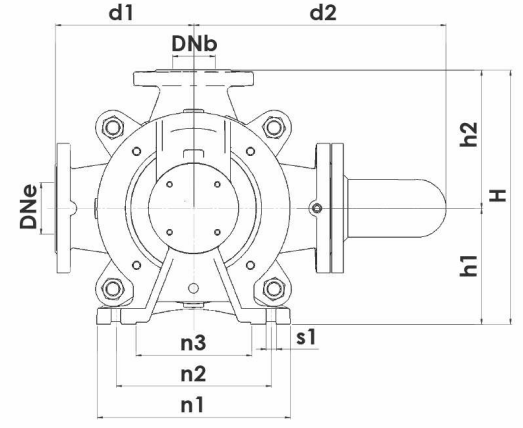
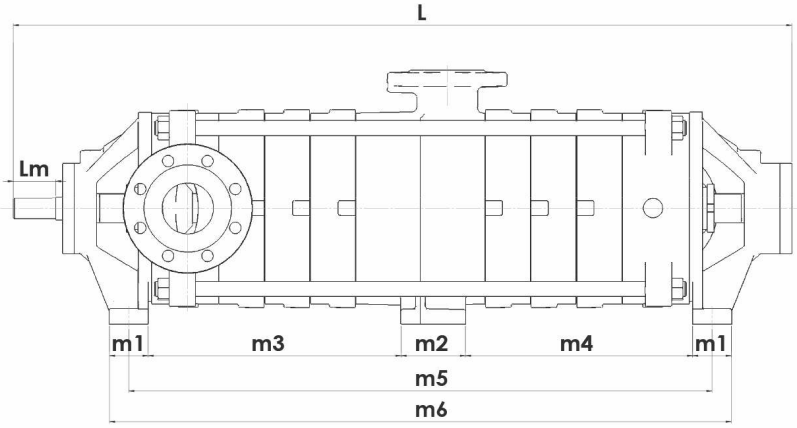
PUMP OVERALL DIMENSION
POMPA MOTORLU ÖLÇÜLERİ
2900 RPM & D/D
EARS-DD SERIES
EARS-DD SERİSİ


POMPA / PUMP		MOTOR		(PN 16 / PN40)		ÖLÇÜLER / DIMENSIONS (mm)														KAPLIN NO COUPLING NO
TİP / TYPE	Kad. Ad. St. Nu.	Kw	IEC	DN _e	DN _b	A	B	L	N	M	h ₁	h ₂	H	a	b	c	L _s	s	g	
EARS-DD 65	5	45	225M	80	65	271	269	1678	436	486	345	279	624	248	1000	196	1495	20	120	3
		55	250M	80	65	271	269	1829	485	535	390	365	755	299	1000	196	1597	20	140	3
		75	280M	80	65	271	269	1968	536	586	420	367	787	343	1000	196	1686	20	140	4
	6	55	250M	80	65	271	269	1900	485	535	390	365	755	334	1000	196	1668	20	140	3
		75	280M	80	65	271	269	2039	536	586	420	367	787	379	1000	196	1757	20	140	4
		90	280M	80	65	271	269	2039	536	586	420	367	787	379	1000	196	1757	20	140	4
	7	75	280M	80	65	271	269	2110	536	586	420	367	787	414	1000	196	1828	20	140	4
		90	280M	80	65	271	269	2110	536	586	420	367	787	414	1000	196	1828	20	140	4
		110	280M	80	65	271	269	2110	536	586	420	367	787	414	1000	196	1828	20	140	4
	8	75	280M	80	65	271	269	2181	536	586	420	367	787	450	1000	196	1899	20	140	4
		110	280M	80	65	271	269	2181	536	586	420	367	787	450	1000	196	1899	20	140	4
		132	315M	80	65	271	269	2276	620	670	475	525	1000	238	1500	196	1975	20	160	4
	9	75	280M	80	65	271	269	2252	536	586	440	367	807	235	1500	196	1970	20	160	4
		110	280M	80	65	271	269	2252	536	586	440	367	807	235	1500	196	1970	20	160	4
		132	315M	80	65	271	269	2347	620	670	475	525	1000	273	1500	196	2046	20	160	4
10	90	280M	80	65	271	269	2323	536	586	440	367	807	271	1500	196	2041	20	160	4	
	110	280M	80	65	271	269	2323	536	586	440	367	807	271	1500	196	2041	20	160	4	
	160	315M	80	65	271	269	2418	620	670	475	525	1000	309	1500	196	2117	20	160	4	

POMPA / PUMP		MOTOR		(PN 16 / PN40)		ÖLÇÜLER / DIMENSIONS (mm)														KAPLIN NO COUPLING NO
TİP / TYPE	Kad. Ad. St. Nu.	Kw	IEC	DN _e	DN _b	A	B	L	N	M	h ₁	h ₂	H	a	b	c	L _s	s	g	
EARS-DD 80	5	90	280M	100	80	325	311	2113	536	586	440	367	807	329	1000	63	1657	20	160	4
		110	280M	100	80	325	311	2113	536	586	440	367	807	329	1000	63	1657	20	160	4
		160	315M	100	80	325	311	2208	620	670	475	525	1000	367	1000	63	1733	20	160	4
	6	110	280M	100	80	325	311	2196	536	586	440	367	807	370	1000	63	1740	20	160	4
		132	315M	100	80	325	311	2291	620	670	475	525	1000	408	1000	63	1816	20	160	4
		185	315L	100	80	325	311	2361	620	670	475	525	1000	434	1000	63	1867	20	160	4
	7	110	280M	100	80	325	311	2279	536	586	440	367	807	412	1000	63	1823	20	160	4
		185	315L	100	80	325	311	2444	620	670	475	525	1000	225	1500	63	1950	20	160	4
		200	315L	100	80	325	311	2444	620	670	475	525	1000	225	1500	63	1950	20	160	4
	8	132	315M	100	80	325	311	2457	620	670	475	525	1000	241	1500	63	1982	20	160	4
		185	315L	100	80	325	311	2527	620	670	475	525	1000	267	1500	63	2033	20	160	4
		250	355M	100	80	325	311	2667	620	670	475	675	1150	371	1500	63	2241	20	160	4

PUMP DIMENSION

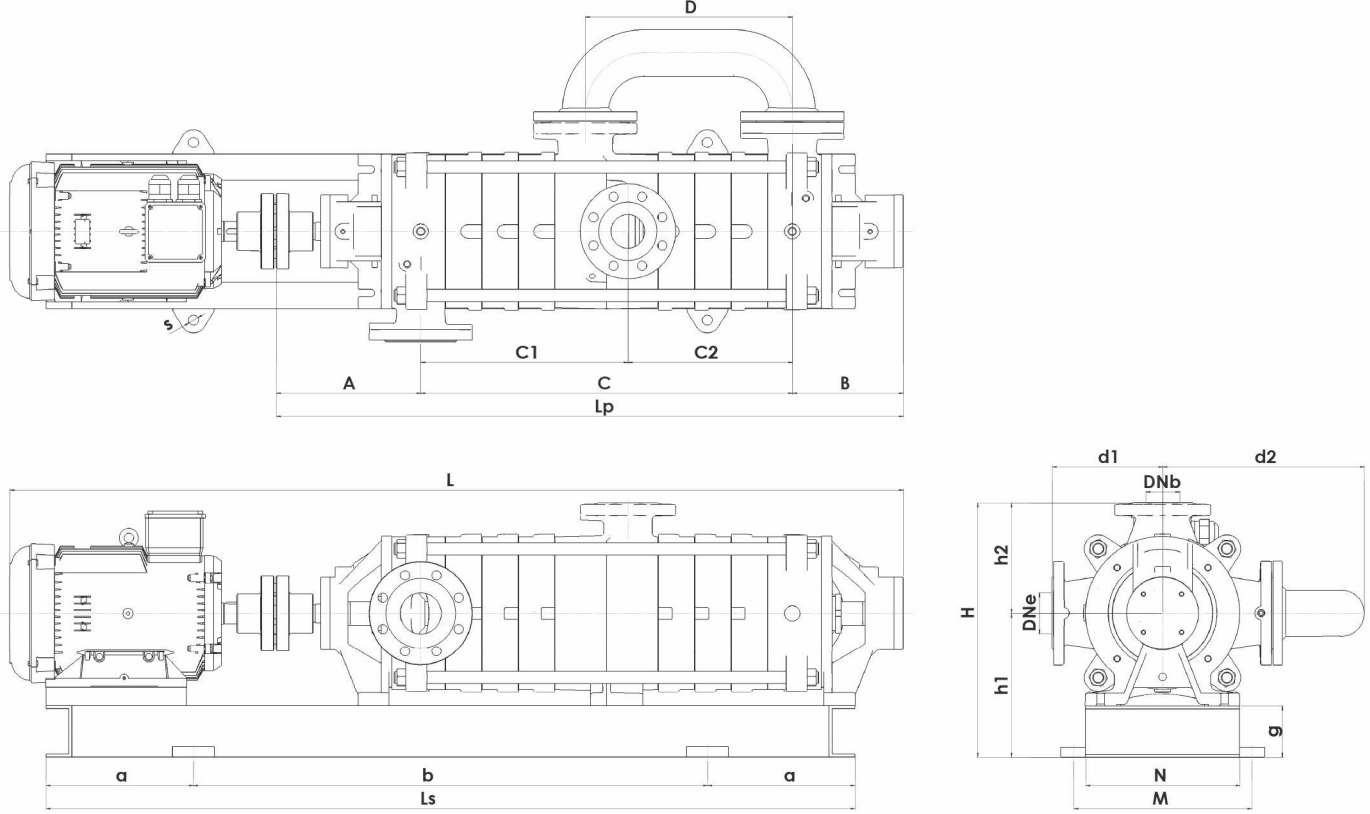
POMPA ÖLÇÜLERİ

EARS-KC BARESHAFT PUMP
 EARS-KC ÇIPLAK POMPA


POMPA TİPİ PUMP TYPE	ÖLÇÜLER / DIMENSIONS (mm)																							MİL UCU ÖLÇÜLERİ SHAFT DIMENSIONS				
	DNe	DNb	A	B	D	d1	d2	L	C1	C2	C	h1	h2	H	m1	m2	m3	m4	m5	m6	n1	n2	n3	s1	d	Lm	t	u
40-08	50	40	239	181	297	300	175	908	244	244	488	160	175	335	62	90	257	287	714	759	228	174	120	16	24	60	25	8
40-10	50	40	239	181	352	300	175	1018	299	299	598	160	175	335	62	90	312	342	824	869	228	174	120	16	24	60	25	8
40-12	50	40	239	181	407	300	175	1128	354	354	708	160	175	335	62	90	367	397	934	979	228	174	120	16	24	60	25	8
40-14	50	40	239	181	462	300	175	1238	409	409	818	160	175	335	62	90	422	452	1044	1089	228	174	120	16	24	60	25	8

POMPA TİPİ PUMP TYPE	ÖLÇÜLER / DIMENSIONS (mm)																							MİL UCU ÖLÇÜLERİ SHAFT DIMENSIONS				
	DNe	DNb	A	B	D	d1	d2	L	C1	C2	C	h1	h2	H	m1	m2	m3	m4	m5	m6	n1	n2	n3	s1	d	Lm	t	u
50-08	65	50	254	190	334	341	190	1056	275	274	612	160	190	350	60	100	287	327	790	834	255	198	140	16	28	65	13	8
50-10	65	50	254	190	396	341	190	1180	337	336	736	160	190	350	60	100	349	389	914	958	255	198	140	16	28	65	13	8
50-12	65	50	254	190	458	341	190	1021	399	398	577	160	190	350	60	100	411	451	1038	1082	255	198	140	16	28	65	13	8

POMPA TİPİ PUMP TYPE	ÖLÇÜLER / DIMENSIONS (mm)																							MİL UCU ÖLÇÜLERİ SHAFT DIMENSIONS				
	DNe	DNb	A	B	D	d1	d2	L	C1	C2	C	h1	h2	H	m1	m2	m3	m4	m5	m6	n1	n2	n3	s1	d	Lm	t	u
65-04	80	65	271	216	261	392	215	843	178	178	356	180	215	395	60	100	216	251	634	682	298	241	180	16	32	66	17	10
65-06	80	65	271	216	332	392	215	985	249	249	498	180	215	395	60	100	287	322	776	824	298	241	180	16	32	66	17	10
65-08	80	65	271	216	403	392	215	1127	320	320	640	180	215	395	60	100	358	393	918	966	298	241	180	16	32	66	17	10

PUMP OVERALL DIMENSION
POMPA MOTORLU ÖLÇÜLERİ
2900 RPM & D/D
EARS-KC SERIES
EARS-KC SERISI


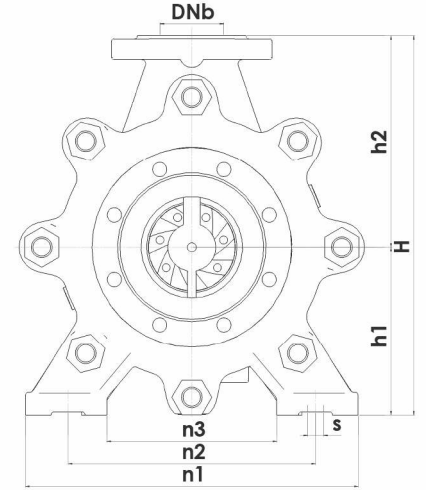
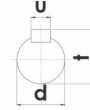
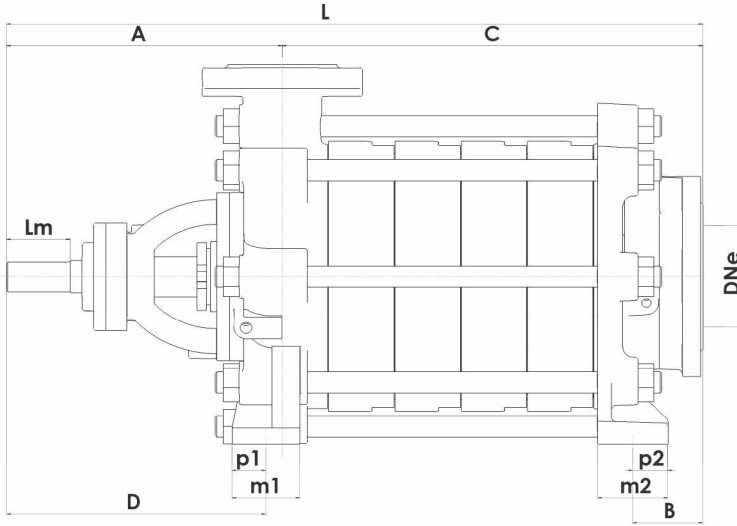
POMPA / PUMP		MOTOR		ÖLÇÜLER / DIMENSIONS (mm)																				KAPLİN NO COUPLING NO	
TİP/ TYPE	Kad. Ad. St. Nu.	Kw	IEC	DNe	DNb	A	B	D	d1	d2	Lp	C1	C2	C	h1	h2	H	L	Ls	a	b	M	N	g	
EARS-KC 40	8	30	200L	50	40	239	181	297	175	300	908	244	244	488	280	261	541	1578	1403	249	1000	450	400	80	3
	10	37	200L	50	40	239	181	352	175	300	1018	299	299	598	280	261	541	1688	1522	304	1000	450	400	80	3
	12	45	225M	50	40	239	181	407	175	300	1128	354	354	708	325	279	604	1868	1645	370	1000	486	436	100	3
	14	55	250M	50	40	239	181	462	175	300	1238	409	409	818	350	365	715	2129	1847	226	1500	535	485	100	3
	16	55	250M	50	40	239	181	517	175	300	1348	464	464	928	350	365	715	2239	1957	281	1500	535	485	100	3
	16	75	280M	50	40	239	181	517	175	300	1348	464	464	928	380	367	747	2378	2047	326	1500	586	536	100	4

POMPA / PUMP		MOTOR		ÖLÇÜLER / DIMENSIONS (mm)																				KAPLİN NO COUPLING NO	
TİP/ TYPE	Kad. Ad. St. Nu.	Kw	IEC	DNe	DNb	A	B	D	d1	d2	Lp	C1	C2	C	h1	h2	H	L	Ls	a	b	M	N	g	
EARS-KC 50	8	55	250M	65	50	254	190	334	190	341	994	275	275	550	350	365	715	1885	1598	299	1000	535	485	100	3
	10	75	280M	65	50	254	190	396	190	341	1118	337	337	674	380	367	747	2148	1812	156	1500	586	536	100	4
	12	75	280M	65	50	254	190	458	190	341	1242	399	399	798	380	367	747	2272	1936	218	1500	586	536	100	4
	12	90	280M	65	50	254	190	458	190	341	1242	399	399	798	380	367	747	2272	1936	218	1500	586	536	100	4
	14	90	280M	65	50	254	190	520	190	341	1366	461	461	922	380	367	747	2396	2060	280	1500	586	536	100	4
	14	110	280M	65	50	254	190	520	190	341	1366	461	461	922	435	367	802	2396	2060	348	1500	670	620	120	4

POMPA / PUMP		MOTOR		ÖLÇÜLER / DIMENSIONS (mm)																				KAPLİN NO COUPLING NO	
TİP/ TYPE	Kad. Ad. St. Nu.	Kw	IEC	DNe	DNb	A	B	D	d1	d2	Lp	C1	C2	C	h1	h2	H	L	Ls	a	b	M	N	g	
EARS-KC 65	4	90	280M	80	65	271	216	261	215	392	843	178	178	356	380	367	747	1873	1520	260	1000	586	536	100	4
	6	110	280M	80	65	271	216	332	215	392	985	249	249	498	435	367	802	2015	1662	161	1500	670	620	120	4
	6	132	315M	80	65	271	216	332	215	392	985	249	249	498	435	367	802	2110	1788	144	1500	670	620	120	4
	8	160	315M	80	65	271	216	403	215	392	1127	320	320	640	435	367	802	2252	1930	215	1500	670	620	120	4
	8	185	315L	80	65	271	216	403	215	392	1127	320	320	640	435	367	802	2322	1981	241	1500	670	620	120	4
	10	200	315L	80	65	271	216	474	215	392	1269	391	391	782	435	367	802	2464	2123	312	1500	670	620	120	4
	10	250	355M	80	65	271	216	474	215	392	1269	391	391	782	475	483	958	2604	2331	416	1500	768	718	120	4

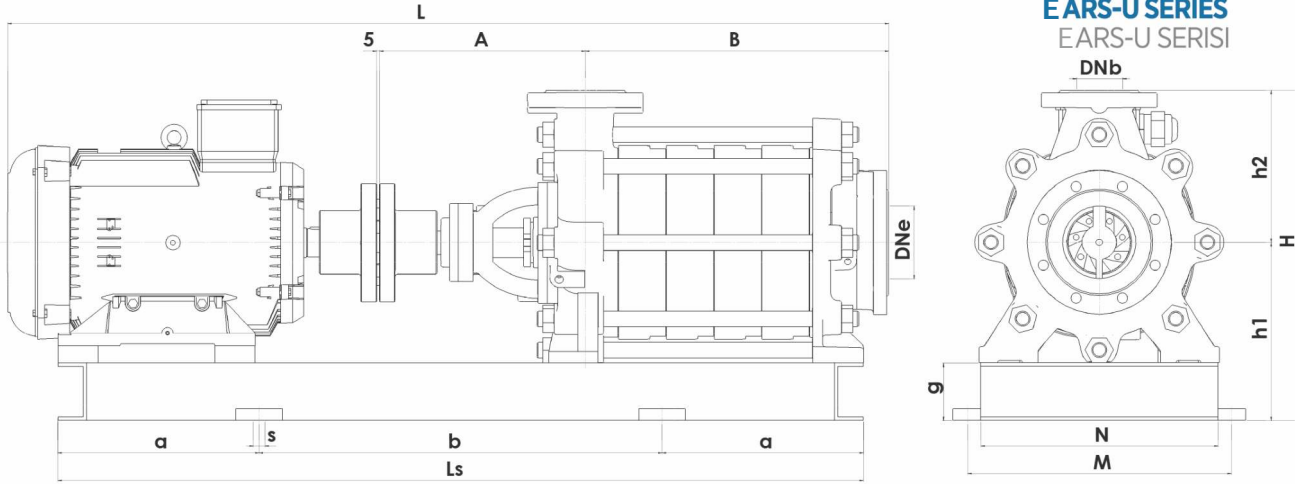
PUMP DIMENSION

POMPA ÖLÇÜLERİ

EARS-U BARESHAFT PUMP
 EARS-U ÇIPLAK POMPA


POMPA TİPİ PUMP TYPE	ÖLÇÜLER / DIMENSIONS (mm)																MİL UCU ÖLÇÜLERİ SHAFT DIMENSIONS				
	DNe	DNb	A	B	L	D	h1	h2	H	m1	m2	p1	p2	n1	n2	n3	s	d	Lm	t	u
40	65	40	237	20	C+237	150	160	175	335	60	75	110	20	235	175	125	20	24	60	27	8
50	80	50	258	20	C+259	160	160	190	350	60	85	115	20	260	200	140	20	28	65	31	8
65	100	65	375	35	C+275	170	180	215	395	60	85	125	25	300	240	180	20	32	65	35	10
80	125	80	331	70	C+331	290	210	265	475	85	85	60	25	410	340	230	20	38	80	41	10
100	150	100	397	100	C+397	350	250	300	550	90	90	70	30	450	370	270	20	42	110	45	12
125	200	125	410	65	C+410	355	300	375	675	110	112	80	30	570	450	360	20	48	110	52	14
150	200	150	475	55	C+475	410	350	425	775	130	135	105	30	655	550	435	20	55	110	59	16

POMPA TİPİ POMPA TYPE	KADEME SAYISINA GÖRE "C" ÖLÇÜSÜ / "C" DIMENSIONS BY STAGE (mm)											
	2	3	4	5	6	7	8	9	10	11	12	13
40	187	242	297	352	407	462	517	572	627	682	737	792
50	212	274	336	398	460	522	584	646	708	770	832	
65	247	318	389	460	531	602	673	744	815	886		
80	280	363	446	529	612	695	778	861	944	1027		
100	347	447	547	647	747	847	947	1047				
125	364	479	594	709	824	939						
150	437	582	727	872								

PUMP OVERALL DIMENSION
POMPA MOTORLU ÖLÇÜLERİ
2900 RPM & D/D


POMPA / PUMP		MOTOR		PN 16/PN 40		ÖLÇÜLER / DIMENSIONS (mm)													KAPLİN NO COUPLING NO
TİP / TYPE	Kad. Ad. St. Nu.	Kw	IEC	DNe	DNb	A	B	L	N	M	h1	h2	H	a	b	Ls	s	g	
EARS-U 40	2	1	90L	65	40	234	187	749	240	290	225	175	465	105	450	660	20	65	1
	3	2	90L	65	40	234	242	804	240	290	225	175	465	133	450	716	20	65	1
	4	2	100L	65	40	234	297	916	240	290	225	175	465	185	450	820	20	65	1
	5	3	100L	65	40	234	352	971	240	290	225	175	465	213	450	876	20	65	1
	6	3	100L	65	40	234	407	1026	240	290	225	175	465	240	450	930	20	65	1
	7	4	112M	65	40	234	462	1098	240	290	225	175	465	273	450	996	20	65	1
8	4	112M	65	40	234	517	1153	240	290	225	175	465	175	700	1050	20	65	1	

POMPA / PUMP		MOTOR		PN 16/PN 40		ÖLÇÜLER / DIMENSIONS (mm)													KAPLİN NO COUPLING NO
TİP / TYPE	Kad. Ad. St. Nu.	Kw	IEC	DNe	DNb	A	B	L	N	M	h1	h2	H	a	b	Ls	s	g	
EARS-U 50	2	2	100L	80	50	258	212	845	265	315	225	190	480	150	450	750	20	65	1
	3	3	100L	80	50	258	274	907	265	315	225	190	480	180	450	810	20	65	1
	4	4	112M	80	50	258	336	986	265	315	225	190	480	215	450	880	20	65	1
	5	6	132M	80	50	258	398	1133	265	315	240	190	510	173	700	1046	20	80	2
	6	6	132M	80	50	258	460	1195	265	315	240	190	510	203	700	1106	20	80	2
	7	8	132M	80	50	258	522	1257	265	315	240	190	510	233	700	1166	20	80	2

POMPA / PUMP		MOTOR		PN 16/PN 40		ÖLÇÜLER / DIMENSIONS (mm)													KAPLİN NO COUPLING NO
TİP / TYPE	Kad. Ad. St. Nu.	Kw	IEC	DNe	DNb	A	B	L	N	M	h1	h2	H	a	b	Ls	s	g	
EARS-U 65	2	4	112M	100	65	274	248	938	304	354	260	215	555	188	450	826	20	80	2
	3	6	132M	100	65	274	319	1070	304	354	260	215	555	163	450	776	20	80	2
	4	8	132M	100	65	274	390	1141	304	354	260	215	555	173	700	1046	20	80	2
	5	11	160M	100	65	274	461	1358	312	362	260	215	555	275	700	1250	20	80	2
	6	15	160L	100	65	274	532	1429	312	362	260	215	555	309	700	1318	20	80	2

POMPA / PUMP		MOTOR		PN 16/PN 40		ÖLÇÜLER / DIMENSIONS (mm)													KAPLİN NO COUPLING NO
TİP / TYPE	Kad. Ad. St. Nu.	Kw	IEC	DNe	DNb	A	B	L	N	M	h1	h2	H	a	b	Ls	s	g	
EARS-U 80	2	11	160M	125	80	339	278	1233	417	467	310	265	675	195	700	1090	20	100	2
	3	15	160L	125	80	339	361	1316	417	467	310	265	675	238	700	1176	20	100	2
	4	19	180M	125	80	339	444	1488	417	467	310	265	675	313	700	1326	20	100	3
	5	22	180L	125	80	339	527	1571	417	467	310	265	675	355	700	1410	20	100	3

POMPA / PUMP		MOTOR		PN 16/PN 40		ÖLÇÜLER / DIMENSIONS (mm)													KAPLİN NO COUPLING NO
TİP / TYPE	Kad. Ad. St. Nu.	Kw	IEC	DNe	DNb	A	B	L	N	M	h1	h2	H	a	b	Ls	s	g	
EARS-U 100	2	22	180L	150	100	397	347	1383	450	500	350	300	750	231	700	1161	20	100	3
	3	37	225M	150	100	397	447	1619	450	500	370	300	790	334	700	1368	20	120	3
	4	45	225M	150	100	397	547	1719	450	500	370	300	790	234	1000	1468	20	120	3
	5	55	250M	150	100	397	647	1940	485	535	370	300	790	328	1000	1655	20	120	4
	6	75	280M	150	100	397	747	2179	536	586	420	300	860	429	1000	1857	20	140	4
	7	75	280M	150	100	397	847	2279	536	586	400	300	820	229	1500	1957	20	120	4

PUMP OVERALL DIMENSION

POMPA MOTORLU ÖLÇÜLERİ

1450 / 2900 RPM & D/D

EARS-U SERIES
EARS-U SERISI

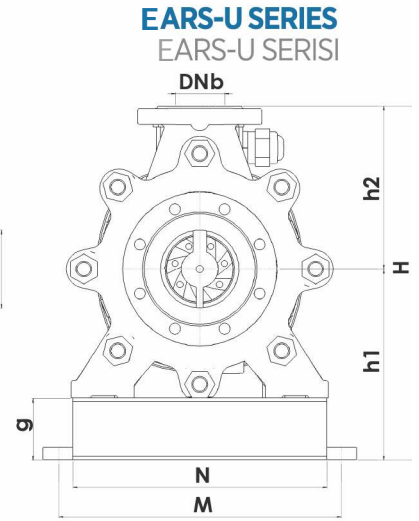
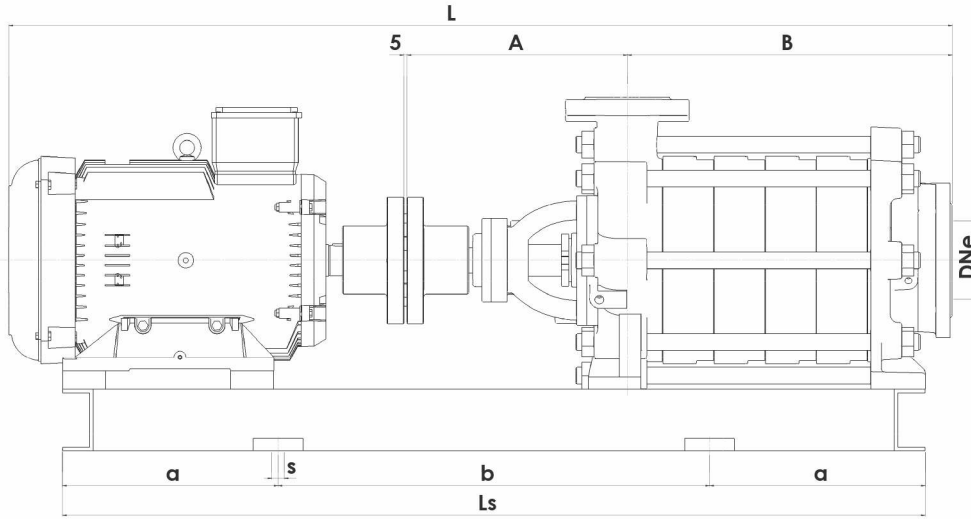
POMPA / PUMP		MOTOR		PN 16/PN 40		ÖLÇÜLER / DIMENSIONS (mm)												KAPLİN NO COUPLING NO	
TİP / TYPE	Kad. Ad. St. Nu.	Kw	IEC	DN _e	DN _b	A	B	L	N	M	h ₁	h ₂	H	a	b	L _s	s		g
EARS-U 125	2	55	250M	200	125	410	364	1670	572	622	420	375	915	360	700	1420	20	120	4
	3	75	280M	200	125	410	479	1924	572	622	440	375	955	319	1000	1637	20	140	4
	4	110	280M	200	125	410	594	2039	620	670	460	375	995	376	1000	1752	20	160	5
	5	132	315M	200	125	410	709	2279	620	670	475	375	1010	256	1500	2011	20	160	5
	6	160	315M	200	125	410	824	2394	620	670	475	375	1010	313	1500	2126	20	160	5

POMPA / PUMP		MOTOR		PN 16/PN 40		ÖLÇÜLER / DIMENSIONS (mm)												KAPLİN NO COUPLING NO	
TİP / TYPE	Kad. Ad. St. Nu.	Kw	IEC	DN _e	DN _b	A	B	L	N	M	h ₁	h ₂	H	a	b	L _s	s		g
EARS-U 150	2	132	315M	200	150	475	437	2072	620	670	510	425	1095	404	1000	1807	20	160	5
	3	185	315L	200	150	475	582	2287	620	670	510	425	1095	361	1500	2222	20	160	5

2900 RPM & D/D

POMPA / PUMP		MOTOR		PN 16/PN 40		ÖLÇÜLER / DIMENSIONS (mm)												KAPLİN NO COUPLING NO	
TİP / TYPE	Kad. Ad. St. Nu.	Kw	IEC	DN _e	DN _b	A	B	L	N	M	h ₁	h ₂	H	a	b	L _s	s		g
EARS-U 40	2	4	112M	65	40	234	187	821	240	290	225	175	400	125	450	700	20	65	1
		6	132S	65	40	234	187	866	270	320	240	175	415	145	450	739	20	80	2
		8	132M	65	40	234	187	866	270	320	240	182	422	145	450	739	20	80	2
	3	6	132S	65	40	234	242	921	270	320	240	175	415	172	450	794	20	80	2
		8	132M	65	40	234	242	921	270	320	240	182	422	172	450	794	20	80	2
		11	160M	65	40	234	242	1057	318	368	240	200	440	233	450	916	20	80	2
	4	8	132M	65	40	234	297	976	270	320	240	182	422	200	450	849	20	80	2
		11	160M	65	40	234	297	1112	318	368	240	200	440	261	450	971	20	80	2
		15	160L	65	40	234	297	1112	318	368	240	200	440	261	450	971	20	80	2
	5	11	160M	65	40	234	352	1167	318	368	240	200	440	163	700	1026	20	80	2
		15	160L	65	40	234	352	1167	318	368	240	200	440	163	700	1026	20	80	2
		19	160L	65	40	234	352	1167	318	368	240	200	440	163	700	1026	20	80	2
	6	11	160M	65	40	234	407	1222	318	368	240	200	440	191	700	1081	20	80	2
		15	160L	65	40	234	407	1222	318	368	240	200	440	191	700	1081	20	80	2
		22	180M	65	40	234	407	1275	360	410	280	248	528	213	700	1125	20	100	3
	7	11	160M	65	40	234	462	1277	318	368	240	200	440	218	700	1136	20	80	2
		19	160L	65	40	234	462	1277	318	368	240	200	440	218	700	1136	20	80	2
		30	200L	65	40	234	462	1366	350	400	300	261	561	280	700	1260	20	100	3
	8	15	160L	65	40	234	517	1332	318	368	240	200	440	246	700	1191	20	80	2
		22	180M	65	40	234	517	1385	360	410	280	248	528	268	700	1235	20	100	3
		30	200L	65	40	234	517	1421	400	450	300	261	561	308	700	1315	20	100	3
	9	15	160L	65	40	234	572	1387	318	368	240	200	440	273	700	1246	20	80	2
		22	180M	65	40	234	572	1440	360	410	280	248	528	295	700	1290	20	100	3
		37	200L	65	40	234	572	1476	400	450	300	261	561	335	700	1370	20	100	3

POMPA / PUMP		MOTOR		PN 16/PN 40		ÖLÇÜLER / DIMENSIONS (mm)												KAPLİN NO COUPLING NO	
TİP / TYPE	Kad. Ad. St. Nu.	Kw	IEC	DN _e	DN _b	A	B	L	N	M	h ₁	h ₂	H	a	b	L _s	s		g
EARS-U 50	2	8	132M	80	50	258	212	915	270	320	240	182	422	169	450	788	20	80	2
		11	160M	80	50	258	212	1051	318	368	240	200	440	230	450	910	20	80	2
		15	160L	80	50	258	212	1051	318	368	240	200	440	230	450	910	20	80	2
	3	11	160M	80	50	258	274	1113	318	368	240	200	440	261	450	972	20	80	2
		15	160L	80	50	258	274	1113	318	368	240	200	440	261	450	972	20	80	2
		22	180M	80	50	258	274	1166	360	410	280	248	528	158	700	1016	20	100	3
	4	18	160M	80	50	258	336	1175	318	368	240	200	440	167	700	1034	20	80	2
		19	160L	80	50	258	336	1175	318	368	240	200	440	167	700	1034	20	80	2
		30	200L	80	50	258	336	1264	400	450	300	261	561	229	700	1158	20	100	3
	5	15	160L	80	50	258	398	1237	318	368	240	200	440	198	700	1096	20	80	2
		22	180M	80	50	258	398	1290	360	410	280	248	528	220	700	1140	20	100	3
		37	200L	80	50	258	398	1326	400	450	300	261	561	260	700	1220	20	100	3

PUMP OVERALL DIMENSION
POMPA MOTORLU ÖLÇÜLERİ
2900 RPM & D/D


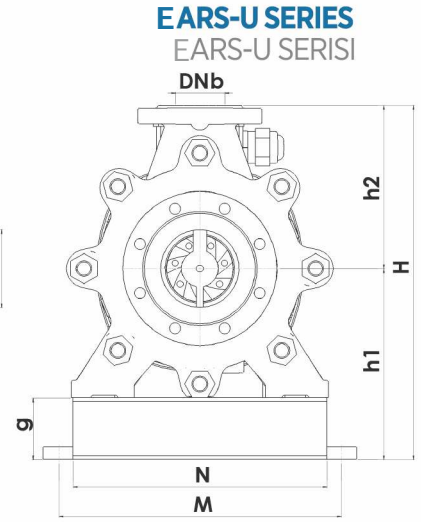
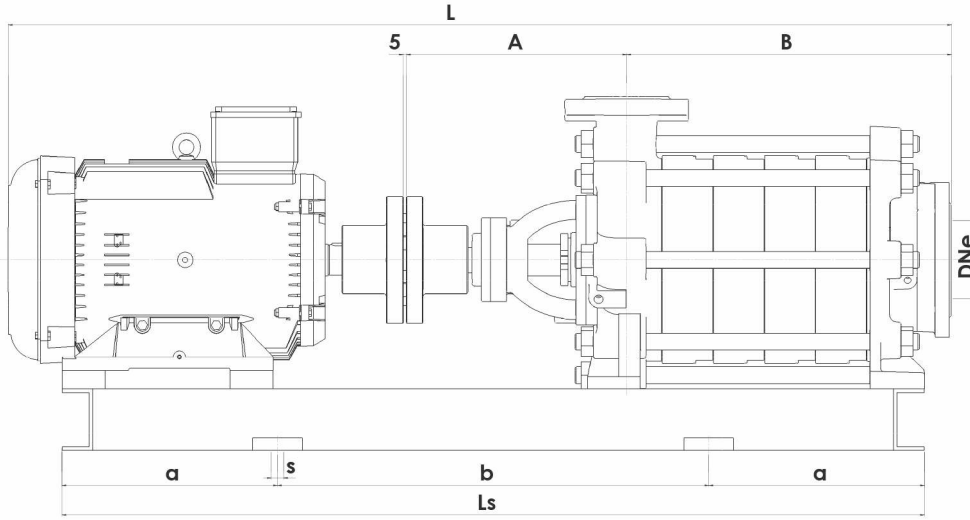
POMPA / PUMP		MOTOR		PN 16/PN 40		ÖLÇÜLER / DIMENSIONS (mm)													KAPLİN NO COUPLING NO
TİP / TYPE	Kad. Ad. St. Nu.	Kw	IEC	DNe	DNb	A	B	L	N	M	h1	h2	H	a	b	Ls	s	g	
EARS-U 50	6	22	180M	80	50	258	460	1352	360	410	280	248	528	251	700	1202	20	100	3
		30	200L	80	50	258	460	1388	400	450	300	261	561	291	700	1282	20	100	3
		45	225M	80	50	258	460	1458	436	486	345	279	624	302	700	1304	20	120	3
	7	22	180M	80	50	258	522	1414	360	410	280	248	528	282	700	1264	20	100	3
		37	200L	80	50	258	522	1450	400	450	300	261	561	322	700	1344	20	100	3
		55	250M	80	50	258	522	1671	485	535	370	365	735	379	700	1458	20	120	3
	8	30	200L	80	50	258	584	1512	400	450	300	261	561	353	700	1406	20	100	3
		37	200L	80	50	258	584	1512	400	450	300	261	561	353	700	1406	20	100	3
		75	280M	80	50	258	584	1872	536	586	420	367	787	305	1000	1610	20	140	4
	9	30	200L	80	50	258	646	1574	400	450	300	261	561	384	700	1468	20	100	3
		45	225M	80	50	258	646	1644	436	486	345	279	624	395	700	1490	20	120	3
			75	280M	80	50	258	646	1934	536	586	420	367	787	336	1000	1672	20	140

POMPA / PUMP		MOTOR		PN 16/PN 40		ÖLÇÜLER / DIMENSIONS (mm)													KAPLİN NO COUPLING NO
TİP / TYPE	Kad. Ad. St. Nu.	Kw	IEC	DNe	DNb	A	B	L	N	M	h1	h2	H	a	b	Ls	s	g	
EARS-U 65	2	19	160L	100	65	274	248	1103	280	330	260	200	460	251	450	952	20	80	2
		22	180M	100	65	274	248	1156	360	410	280	248	528	273	450	996	20	100	3
		37	200L	100	65	274	248	1192	400	450	300	261	561	188	700	1076	20	100	3
	3	30	200L	100	65	274	319	1263	400	450	300	261	561	224	700	1147	20	100	3
		37	200L	100	65	274	319	1263	400	450	300	261	561	224	700	1147	20	100	3
		55	250M	100	65	274	319	1484	485	535	370	365	735	281	700	1261	20	120	3
	4	37	200L	100	65	274	390	1334	400	450	300	261	561	259	700	1218	20	100	3
		45	225M	100	65	274	390	1404	436	486	345	279	624	270	700	1240	20	120	3
		75	280M	100	65	274	390	1694	536	586	420	367	787	361	700	1422	20	140	4
	5	45	225M	100	65	274	461	1475	436	486	345	279	624	306	700	1311	20	120	3
		75	280M	100	65	274	461	1765	536	586	420	367	787	247	1000	1493	20	140	4
		90	280M	100	65	274	461	1765	536	586	420	367	787	247	1000	1493	20	140	4
	6	55	250M	100	65	274	532	1697	485	535	370	365	735	387	700	1474	20	120	3
		75	280M	100	65	274	532	1836	536	586	420	367	787	282	1000	1564	20	140	4
		110	280M	100	65	274	532	1836	620	670	440	367	807	292	1000	1583	20	160	4
	7	75	280M	100	65	274	603	1907	536	586	420	367	787	318	1000	1635	20	140	4
		90	280M	100	65	274	603	1907	536	586	420	367	787	318	1000	1635	20	140	4
		110	280M	100	65	274	603	1907	620	670	440	367	807	327	1000	1654	20	160	4

PUMP OVERALL DIMENSION

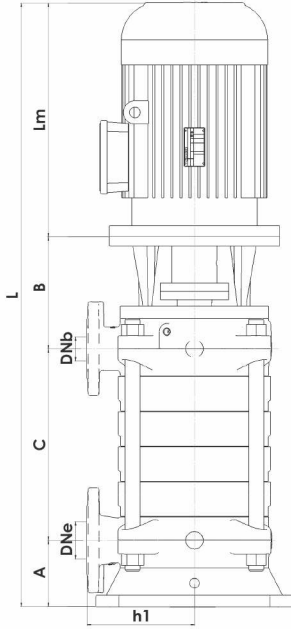
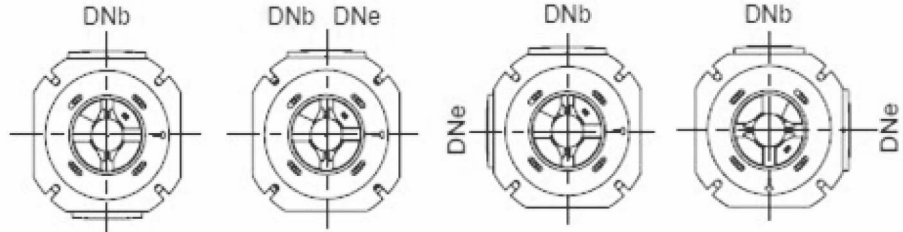
POMPA MOTORLU ÖLÇÜLERİ

2900 RPM & D/D



EARS-U SERIES
EARS-U SERISI

POMPA / PUMP		MOTOR		PN 16/PN 40		ÖLÇÜLER / DIMENSIONS (mm)													KAPLIN NO COUPLING NO	
TİP / TYPE	Kad. Ad. St. Nu.	Kw	IEC	DNe	DNb	A	B	L	N	M	h1	h2	H	a	b	Ls	s	g		
EARS-U 80	2	37	200L	125	80	339	278	1287	400	450	310	261	571	217	700	1134	20	100	3	
		45	225M	125	80	339	278	1357	436	486	345	279	624	228	700	1156	20	120	3	
		55	250M	125	80	339	278	1508	485	535	370	365	735	274	700	1248	20	120	3	
	3	3	55	250M	125	80	339	361	1591	485	535	370	365	735	316	700	1331	20	120	3
			75	280M	125	80	339	361	1730	536	586	420	367	787	361	700	1421	20	140	4
			90	280M	125	80	339	361	1730	536	586	420	367	787	361	700	1421	20	140	4
	4	4	75	280M	125	80	339	444	1813	536	586	420	367	787	252	1000	1504	20	140	4
			90	280M	125	80	339	444	1813	536	586	420	367	787	252	1000	1504	20	140	4
			110	280M	125	80	339	444	1813	620	670	440	367	807	262	1000	1523	20	160	4
	5	5	90	280M	125	80	339	527	1896	536	586	420	367	787	294	1000	1587	20	140	4
			110	280M	125	80	339	527	1896	620	670	440	367	807	303	1000	1606	20	160	4
			160	315M	125	80	339	527	1991	620	670	475	367	842	329	1000	1657	20	160	4

PUMP OVERALL DIMENSION
POMPA MOTORLU ÖLÇÜLERİ
2900 RPM & D/D
EARS-D SERIES
 EARS-D SERİSİ

FLANŞ BAĞLAMA POZİSYONLARI


Şek 1

Şek 2

Şek 3

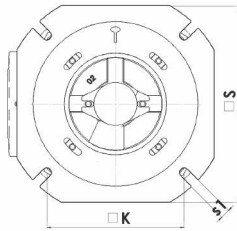
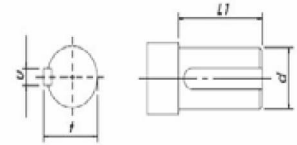
Şek 4

Şek 1: Standart bağlama şekli (2 kademeye kadar)
 Şek 2-3-4 : 3 ve daha fazla kademeli pompalarda

DNb: Basma Flanşı
 DNe: Emme Flanşı

MİL UCU ÖLÇÜLERİ / SHAFT DIMENSIONS (mm)

POMPA TİPİ	d	L1	t	u
32	24	35	27	8
40			31	
50	28	40	35	10
65	32		41	
80	38			



POMPA PUMP	MOTOR		ÖLÇÜLER / DIMENSIONS (mm)										C (mm)						
			KADEME SAYISI / STAGE NUMBER	2	3	4	5	6	7										
TİP / TYPE	Kw	IEC	DNe	DNb	A	B	Lm	L	h1	□S	□K	s1	2	3	4	5	6	7	
EARS-D 32	3	100L	40	32	111	158	292	561+C	152	295	205	18	112	155	198	241	284	327	
	4	112M	40	32	111	158	336	605+C	152	295	205	18	112	155	198	241	284	327	
	5,5	132S	40	32	111	183	396	690+C	152	295	205	18	112	155	198	241	284	327	
	7,5	132M	40	32	111	183	431	725+C	152	295	205	18	112	155	198	241	284	327	
	11	160M	40	32	111	213	476	800+C	152	295	205	18	112	155	198	241	284	327	
	11	160M	40	32	111	213	476	800+C	152	295	205	18	112	155	198	241	284	327	

POMPA PUMP	MOTOR		ÖLÇÜLER / DIMENSIONS (mm)										C (mm)						
			KADEME SAYISI / STAGE NUMBER	2	3	4	5	6	7										
TİP / TYPE	Kw	IEC	DNe	DNb	A	B	Lm	L	h1	□S	□K	s1	2	3	4	5	6	7	
EARS-D 40	7,5	132M	50	40	106	189	431	726+C	175	300	209	18	133	188	243	298	-	-	
	11	160M	50	40	106	222	476	804+C	175	300	209	18	133	188	243	298	-	-	
	15	160L	50	40	106	222	476	804+C	175	300	209	18	133	188	243	298	-	-	
	18,5	160L	50	40	106	222	476	804+C	175	300	209	18	133	188	243	298	-	-	

PUMP OVERALL DIMENSION

POMPA MOTORLU ÖLÇÜLERİ

2900 RPM & D/D

EARS-D SERIES
 EARS-D SERISI

POMPA PUMP	MOTOR		ÖLÇÜLER / DIMENSIONS (mm)										C (mm)						
			KADEME SAYISI / STAGE NUMBER										2	3	4	5	6	7	
TİP / TYPE	Kw	IEC	DNe	DNb	A	B	Lm	L	h1	□S	□K	s1	2	3	4	5	6	7	
EARS-D 50	11	160M	65	50	117	231	476	824+C	190	345	243	18	152	214	276	-	-	-	
	15	160L	65	50	117	231	476	824+C	190	345	243	18	152	214	276	-	-	-	
	18,5	160L	65	50	117	231	476	824+C	190	345	243	18	152	214	276	-	-	-	
	22	180M	65	50	117	231	519	867+C	190	345	243	18	152	214	276	-	-	-	
	30	200L	65	50	117	231	555	903+C	190	345	243	18	152	214	276	-	-	-	

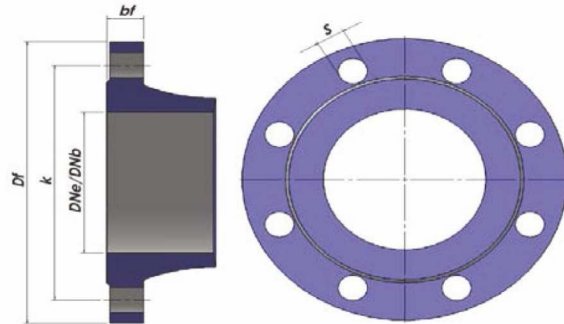
POMPA PUMP	MOTOR		ÖLÇÜLER / DIMENSIONS (mm)										C (mm)						
			KADEME SAYISI / STAGE NUMBER										2	3	4	5	6	7	
TİP / TYPE	Kw	IEC	DNe	DNb	A	B	Lm	L	h1	□S	□K	s1	2	3	4	5	6	7	
EARS-D 65	22	180M	80	65	137	235	519	891+C	215	345	243	18	180	251	-	-	-	-	
	30	200L	80	65	137	235	555	927+C	215	345	243	18	180	251	-	-	-	-	
	37	200L	80	65	137	235	555	927+C	215	345	243	18	180	251	-	-	-	-	
	45	225M	80	65	137	235	625	997+C	215	345	243	18	180	251	-	-	-	-	

POMPA PUMP	MOTOR		ÖLÇÜLER / DIMENSIONS (mm)										C (mm)						
			KADEME SAYISI / STAGE NUMBER										2	3	4	5	6	7	
TİP / TYPE	Kw	IEC	DNe	DNb	A	B	Lm	L	h1	□S	□K	s1	2	3	4	5	6	7	
EARS-D 80	45	225M	100	80	145	238	625	1008+C	265	450	355	25	190	273	-	-	-	-	
	55	250M	100	80	145	268	644	1057+C	265	450	355	25	190	273	-	-	-	-	
	55	250M	100	80	145	268	644	1057+C	265	450	355	25	190	273	-	-	-	-	
	75	280M	100	80	145	268	885	1298+C	265	450	355	25	190	273	-	-	-	-	

FLANGE DIMENSIONS

FLANŞ ÖLÇÜLERİ

DNe / DNb	Suction & Discharge / EMME & Basma (PN 16)				
	Df	k	s	n	bf
32	140	100	18	4	18
40	150	110	18	4	18
50	165	125	18	4	20
65	185	145	18	4	20
80	200	160	18	8	22
100	220	180	18	8	24
125	250	210	18	8	26
150	285	240	23	8	26
200	340	295	23	12	30
250	405	355	27	12	31
300	460	410	27	12	36



"n" Hole No / Delik Sayısı

SEAL SOLUTIONS
SALMASTRA ÇÖZÜMLERİ

Cartex Seal / Kartuş Tipi Tek	Temperature / Sıcaklık	Pressure / Basınç
MG1	t = -20 °C ... +90 °C t = +100 °C ... +140 °C	p1 = 16 bar (230 PSI) p1 = 16 bar (230 PSI) Optional
M7N	t = -20 °C ... +220 °C	p1 = 25 bar (360 PSI)
Gland Packing / Yumusak Salmastra	t = -20 °C ... +100 °C t = -20 °C ... +140 °C	p1 = 10 bar (145 PSI) p1 = 25 bar (360 PSI) Optional
Seal Code / Salmastra Kodu Çift Mekanik Salmastra (CARTEX-DN)	t = -20 °C ... +220 °C	p1 = 25 bar (360 PSI)

* Note : Above datas mentioned according to BURGMANN Brand. Technical datas can be change according to different brand as customer request.

* Different seal application can be use according to liquid specs.

* Not : Burgmann marka mekanik salmastraya göre belirtilmiştir.
Müşteri isteğine göre salmastra marka değişikliği yapılabilir ve özellikleri değişir.

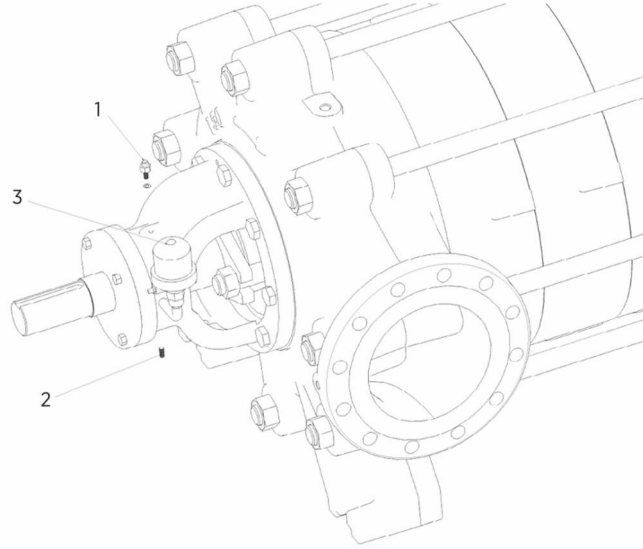
* Akışkan cinsi ve çalışma şartlarına göre farklı salmastra seçenekleri uygulanabilir.

ADVISED SPARE PARTS
ÖNERİLEN YEDEK PARÇALAR

Part Name Parça Adı (set)	Duty and Stand By pump items in System / Sistemdeki Asil ve Yedek Pompa Sayısı					
	2	3	4	5	6	7+
Spare Part Items / Yedek Parça Adeti						
Shaft / Mil	1	1	2	2	2	30%
Impeller / Çark	1	1	1	2	2	30%
Wear Ring Aşınma halkası	2	2	2	4	4	50%
Shaft Sleeve Mil Burcu	1	1	1	2	3	20%
Mechanical Seal Mekanik Salmastra	1	2	2	3	3	50%
Gland Packing Yumusak Salmastra	4	4	6	6	6	40%
O-Ring	4	6	8	8	9	150%
Bearing / Rulman	2	2	4	4	6	50%

OIL LUBRICATION

SIVI YAĞLAMALI RULMAN

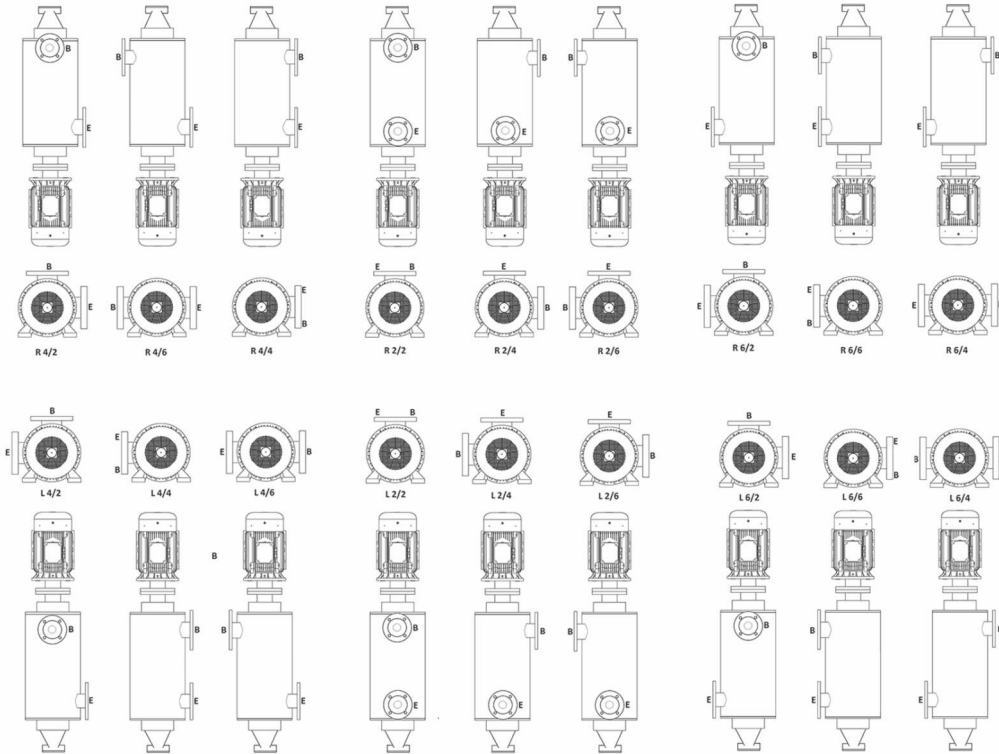


PART LIST PARÇA LİSTESİ

1	YAĞ DOLDURMA TAPASI / OIL FILTER PLUG	3	YAĞ SEVİYE GÖSTERGESİ - YAĞ BESLEME / OIL SIGHT GAUGE
2	YAĞ BOŞALTIMA TAPASI / OIL DRAIN PLUG		

FLANGE POSITIONS

FLANŞ KONUMLARI



MOTOR TARAFINDAN BAKILDIĞINDA
SAAT YÖNÜNDE (EMME FLANŞI MOTOR TATRAFINDA)
ROTATION CLOCKWISE VIEWED FROM DRIVER
(SUCTION FLANGE IS ON THE MOTOR SIDE)

L 4 / 2

BASMA FLANŞI KONUMU (B) DISCHARGE FLANGE POSITION
EMME FLANŞI KONUMU (E) SUCTION FLANGE POSITION
DÖNME YÖNÜ (R/L) DIRECTION OF ROTATION

E : SUCTION
B : DISCHARGE

MOTOR TARAFINDAN BAKILDIĞINDA
SAAT TERSİ YÖNÜNDE (BASMA FLANŞI MOTOR TATRAFINDA)
COUNTER CLOCKWISE ROTATION VIEWED FROM
DRIVER (DISCHARGE FLANGE IS ON THE MOTOR SIDE)

erduro.com



Fluid Solutions

erduro.com
info@erduro.com